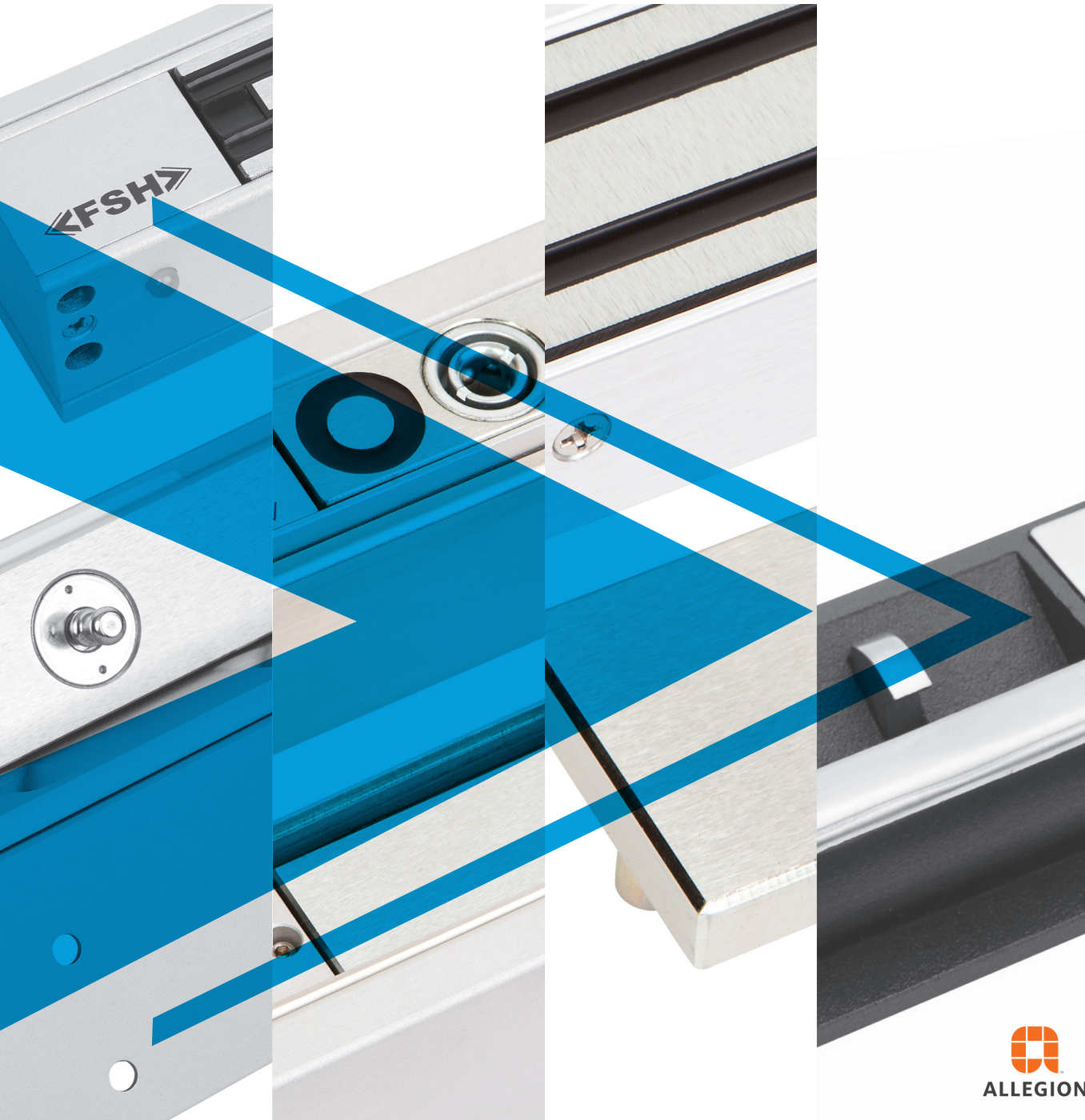


FSH LOCKING

Electromechanical Security



FSH MISSION

FSH Fire & Security Hardware, is a company who pride in and strive to maintain their leading position in the electromechanical security locking market.



Allegion's pioneering brands are redefining security, inventing new technologies and keeping you safe wherever you are – from home, to work and beyond.

FSH recognises and acknowledges the relationships with their Distribution Partners to which FSH endeavours at all time to provide competitively priced high quality solutions to most, if not all, electromechanical security locking solutions.

FSH is cognisant of the growing support of Consultants and Advisors in the Security Industry who are now specifying FSH devices as their product of preference.

FSH also acknowledge our End Users who demand Quality, Service and Expert Support and who recognise this in their growing demand for the FSH product lines.

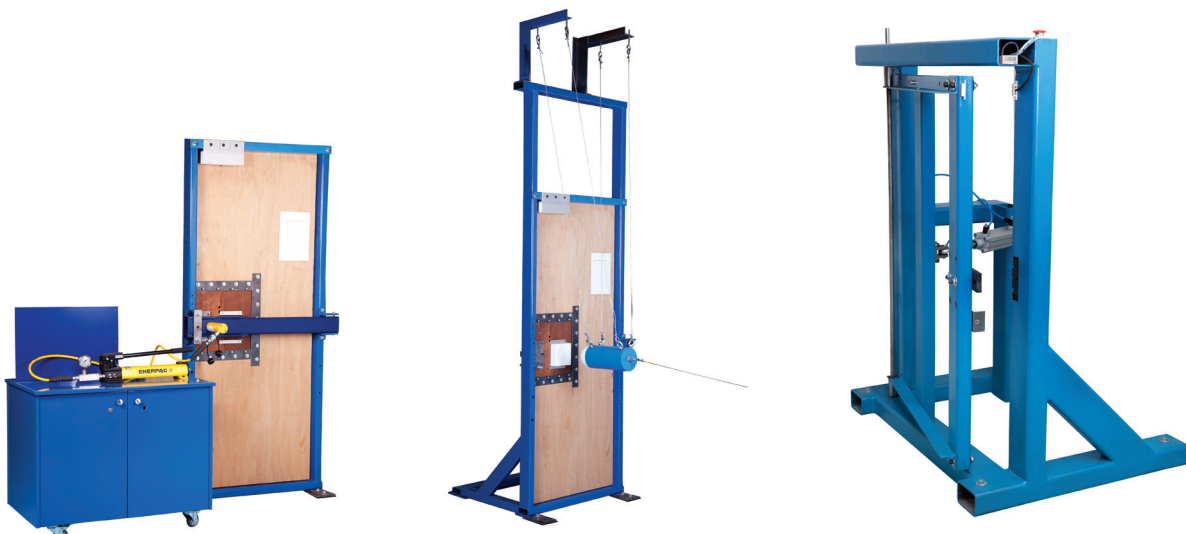
FSH commits to continue with its leadership in innovation of Security Locking Devices, to maintain its reputation as the leading producer of high quality locking products, and to maintain its aggressive price competitiveness.

Allegion specialises in security around the doorway and beyond: everything from mechanical locks to advanced biometric scanning devices, keeping every solution simple and integrated. Allegion, listed on the New York Stock Exchange (NYSE:ALLE), is a US\$2 billion business employing more than 7,800 people and offering products in more than 120 countries across the world.

Allegion's portfolio includes strategic brands CISA®, Interflex®, LCN®, Schlage® and Von Durpin®; and other brands including aptiQ®, Brio®, Briton™, Bricard®, Falcon®, FSH®, Fusion Hardware Group™, Glynn-Johnson®, ITO Kilit™, Ives®, Kryptonite®, Legge®, Normbau™, SimonVoss®, Steelcraft®, XceedID® and Zero®.

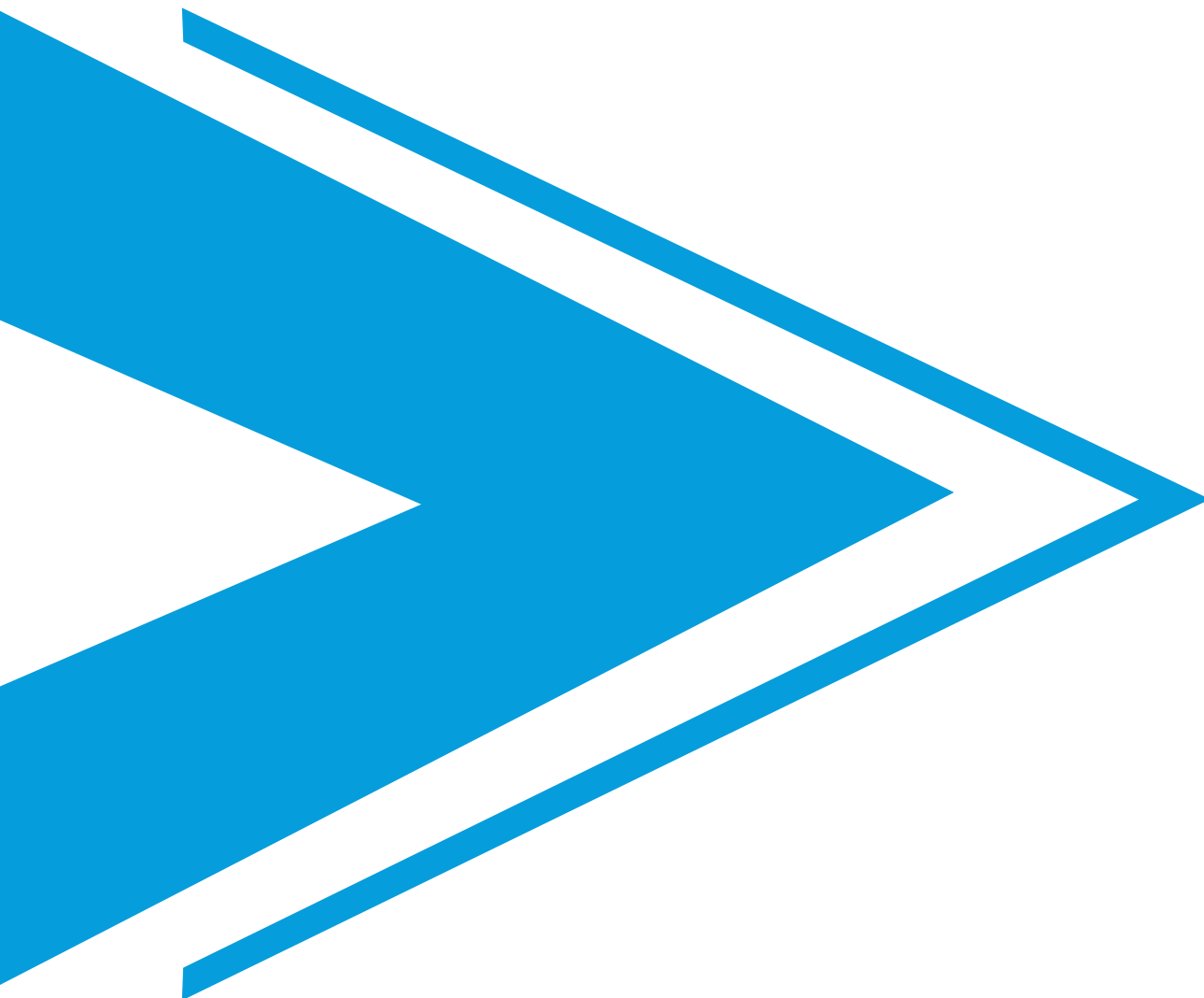


FSH HEADQUARTER | MATRAVILLE NSW


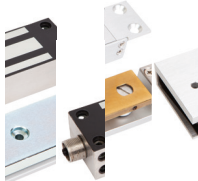




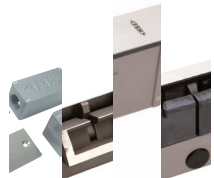


FSH STATE-OF-THE-ART TESTING EQUIPMENT

FSH PRODUCT INDEX
Electromechanical Locking






FSH PRODUCT INDEX

	PAGE No.
 MEM MECHANICAL ELECTRO MAGNETIC LOCKS	6
 ELECTRO MAGNETIC LOCKING DEVICES	14
 ELECTRIC STRIKES	28
 ELECTROMECHANICAL DROP BOLTS & HOOK LOCK	40
 ELECTROMECHANICAL CABINET LOCKS	50
 ELECTROMAGNETIC DOOR HOLDERS	56
 ELECTRIC MORTICE LOCKS HIGH SECURITY DOOR SENSOR	62

MEM MECHANICAL ELECTRO MAGNETIC LOCKS

Electromechanical Locking



	FEATURES	PART NO.	PP
	MEM Lock™ Mechanical Electro Magnetic Locking Device	MEM2400LP	8
	MEM Lock™ Mechanical Electro Magnetic Locking Device	MEM24000LED-LZ	10
	MEM Lock™ Mechanical Electro Magnetic Sliding Door Locking Device	MEM4400	12

PRODUCT MEM2400LP

MEM LOCK™ MECHANICAL ELECTRO MAGNETIC LOCKING DEVICE FOR OUTWARD OPENING HINGED DOORS



PRODUCT DESCRIPTION

The innovative slimline MEM2400LP Mechanical Electro Magnetic Lock has been designed as an alternative to standard magnetic locks especially suited for situations where door height or narrow profile door frames create installation restrictions and appearance is of paramount importance.

The patented MEM incorporates both magnetic and mechanical design principles to achieve a superior holding force of up to 1000kg, whilst being 75% smaller than a standard 600kg Electro Magnet.

The MEM2400 is capable of opening with up to 70kg side pressure on the door and has the added security function of "Early Warning" alarm condition. The device comes with the FSH patented "Anti-Tamper-Bracket" as standard.

MEM Lock™ is recommended to be used on doors < 2400mm

MEM2400LP

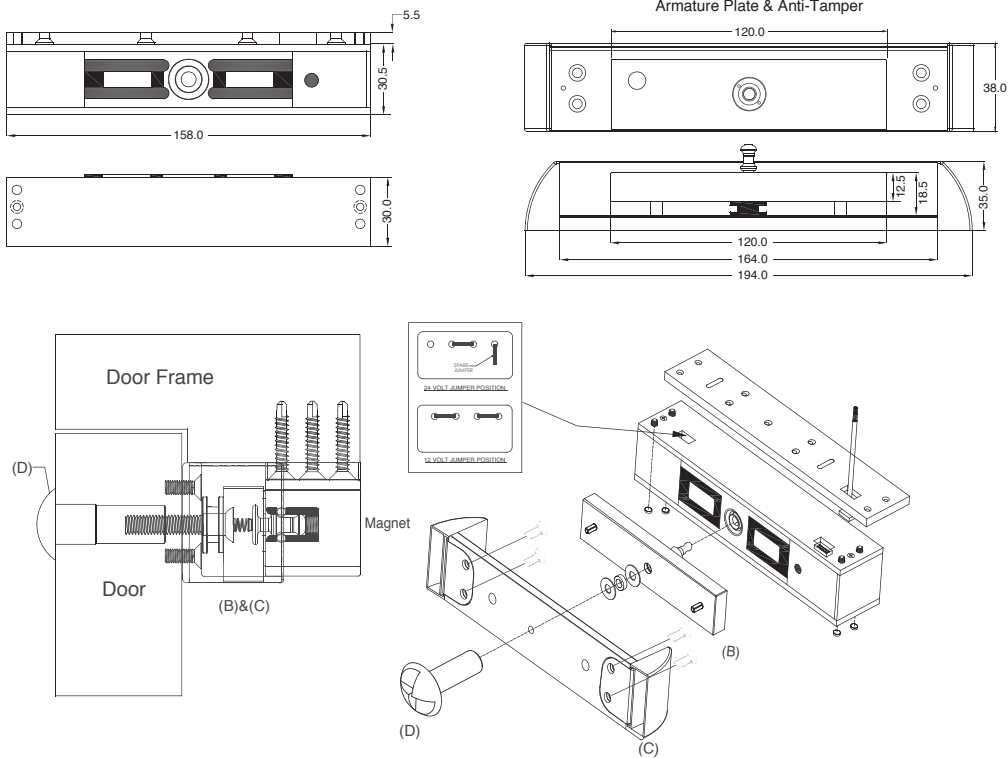
TECHNICAL DETAILS

PART NO.	MEM2400LP
LIGHT FEATURE	Light Panel (LP)
FUNCTION	Surface mount Outward opening doors
HOLDING STRENGTH	Up to 1000kg
VOLTAGE/CURRENT	Dual Voltage 12/24VDC 12VDC/240mA 24VDC/120mA
APPROVALS	4 hour fire rated to A.S. and B.S. standards
MONITORING	EW / LSS / DSS
SIZE	MEM size L= 158mm H= 35mm D= 30mm Armature Plate size L= 120mm H= 30.6mm D= 12.5mm Anti-Tamper-Bracket size L= 194mm H= 38mm D= 30mm

PRODUCT FEATURES

- Slimline design 75% smaller than a standard 600kg magnet
- High holding force up to 1000kg and releases under side load of up to 70kg
- Dual-Voltage 12/24VDC Low power consumption 24VDC/120mA
- 5 year warranty
- Simple installation
- 4 hour fire rated
- Full monitoring Lock Status Sensor (LSS) and Door Status Sensor (DSS)
- Early Warning Alarm (EW)
- Anti Tamper Bracket (to protect the armature plates fixing bolt)

PRODUCT DIMENSIONS AND INSTALLATION



PRODUCT MEM2400LED-LZ
 MEM LOCK™ MECHANICAL ELECTRO MAGNETIC LOCKING DEVICE
 FOR INWARD OPENING HINGED DOORS



PRODUCT DESCRIPTION

The innovative slimline MEM2400LED-LZ Mechanical Electro Magnetic Lock for inward opening doors has been designed as an alternative to standard magnetic locks. The MEM2400LED-LZ comes as a combination with L&Z-Brackets.

The patented MEM2400LED-LZ incorporates both magnetic and mechanical design principles to achieve a superior holding force of up to 1000kg. The MEM2400LED-LZ is capable of opening with up to 70kg side pressure on the door.

MEM Lock™ is recommended to be used on doors < 2400mm

MEM2400LED-LZ

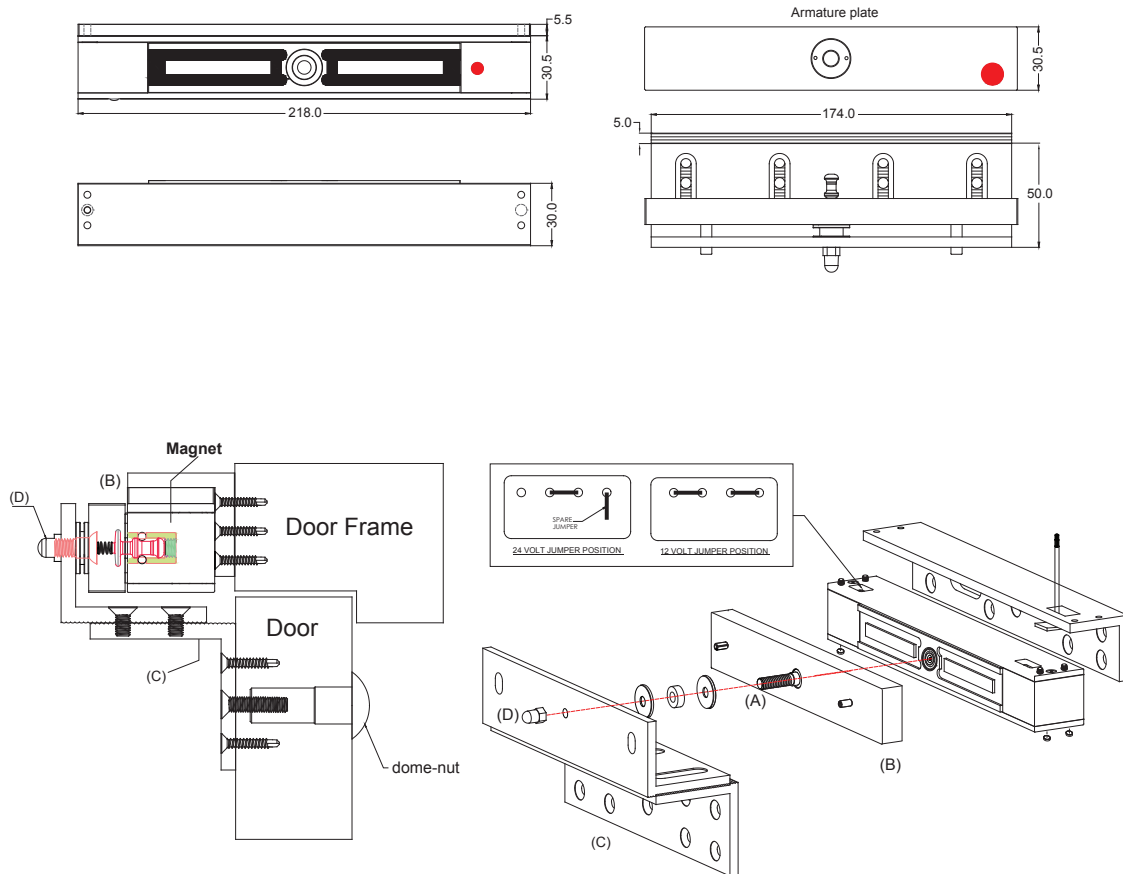
TECHNICAL DETAILS

PART NO.	MEM2400LED-LZ
LIGHT FEATURE	LED
FUNCTION	Surface mount Inward opening doors including L&Z Bracket
HOLDING STRENGTH	Up to 1000kg
VOLTAGE/CURRENT	Dual Voltage 12/24VDC 12VDC/350mA 24VDC/175mA
APPROVALS	4 hour fire rated to A.S. and B.S. standards
MONITORING	EW / LSS / DSS
SIZE	MEM size L= 218mm H= 36mm D= 30mm Armature Plate size L= 174mm H= 30.5mm D= 12.5mm

PRODUCT FEATURES

- Slimline design 75% smaller than a standard 600kg magnet
- High holding force up to 1000kg and releases under side load of up to 70kg
- Dual-Voltage 12/24VDC Low power consumption 24VDC/175mA
- 5 year warranty
- Simple installation
- 4 hour fire rated
- Full monitoring Lock Status Sensor (LSS) and Door Status Sensor (DSS)
- Early Warning Alarm (EW)
- Anti Tamper Bracket (to protect the armature plates fixing bolt)

PRODUCT DIMENSIONS AND INSTALLATION



PRODUCT MEM4400**MEM LOCK™ MECHANICAL ELECTRO MAGNETIC SLIDING DOOR LOCKING DEVICE**

MEM4400

PRODUCT DESCRIPTION

The innovative MEM4400 Series Mechanical Electro Magnetic Lock is a small and extremely strong sliding door locking solution. It has been specifically designed for automatic sliding door applications where the size of common electromechanical locking mechanisms create installation difficulties. Located on or within the sliding door track mechanism the patented MEM incorporates both magnetic and mechanical design principles to achieve an exceptional holding force of up to 680kg at an extraordinary compact size.

The MEM4400 Series also provides full monitoring, LSS, DSS and Early Warning (EW) security alarm indication. The device accepts voltage of 12VDC and has low power consumption of 260mA@12V.

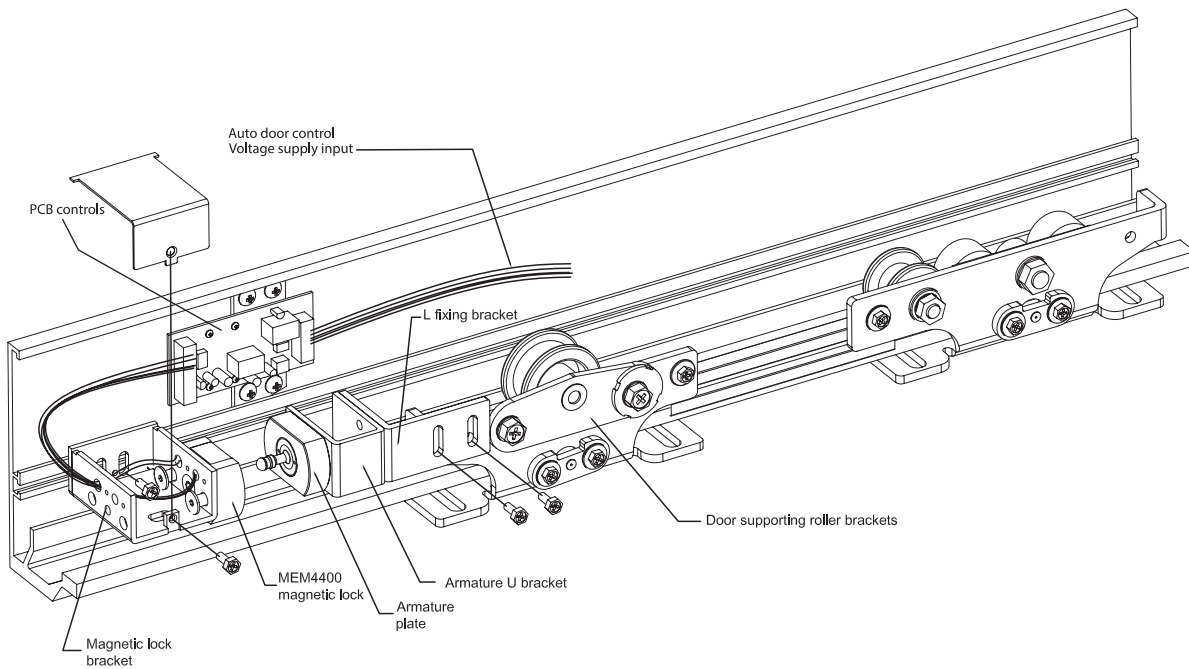
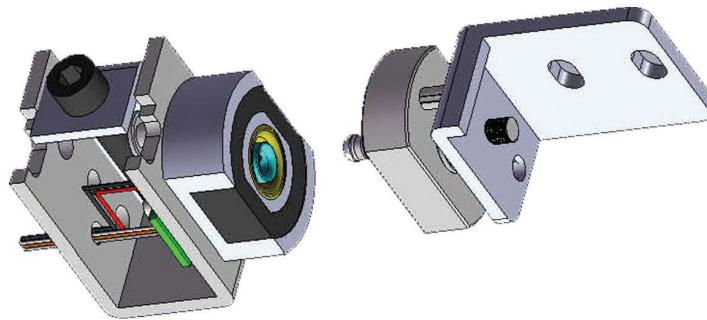
TECHNICAL DETAILS

PART NO.	MEM4400
FUNCTION	Mechanical Electromagnetic Sliding Door Lock for automatic sliding doors
HOLDING STRENGTH	680kg
VOLTAGE/CURRENT	12VDC/260mA
APPROVALS	4 hour fire rated to A.S. and B.S. standards
MONITORING	DSS / LSS / EW

PRODUCT FEATURES

- Compact design locking device for sliding doors
- For automatic sliding doors. Lock located on or within the door track
- Early Warning Alarm (EW)
- High holding force up to 680kg
- Low power consumption 12VDC/260mA
- 5 year warranty
- Full monitoring Lock Status Sensor (LSS) and Door Status Sensor (DSS)
- Custom brackets by others may be required

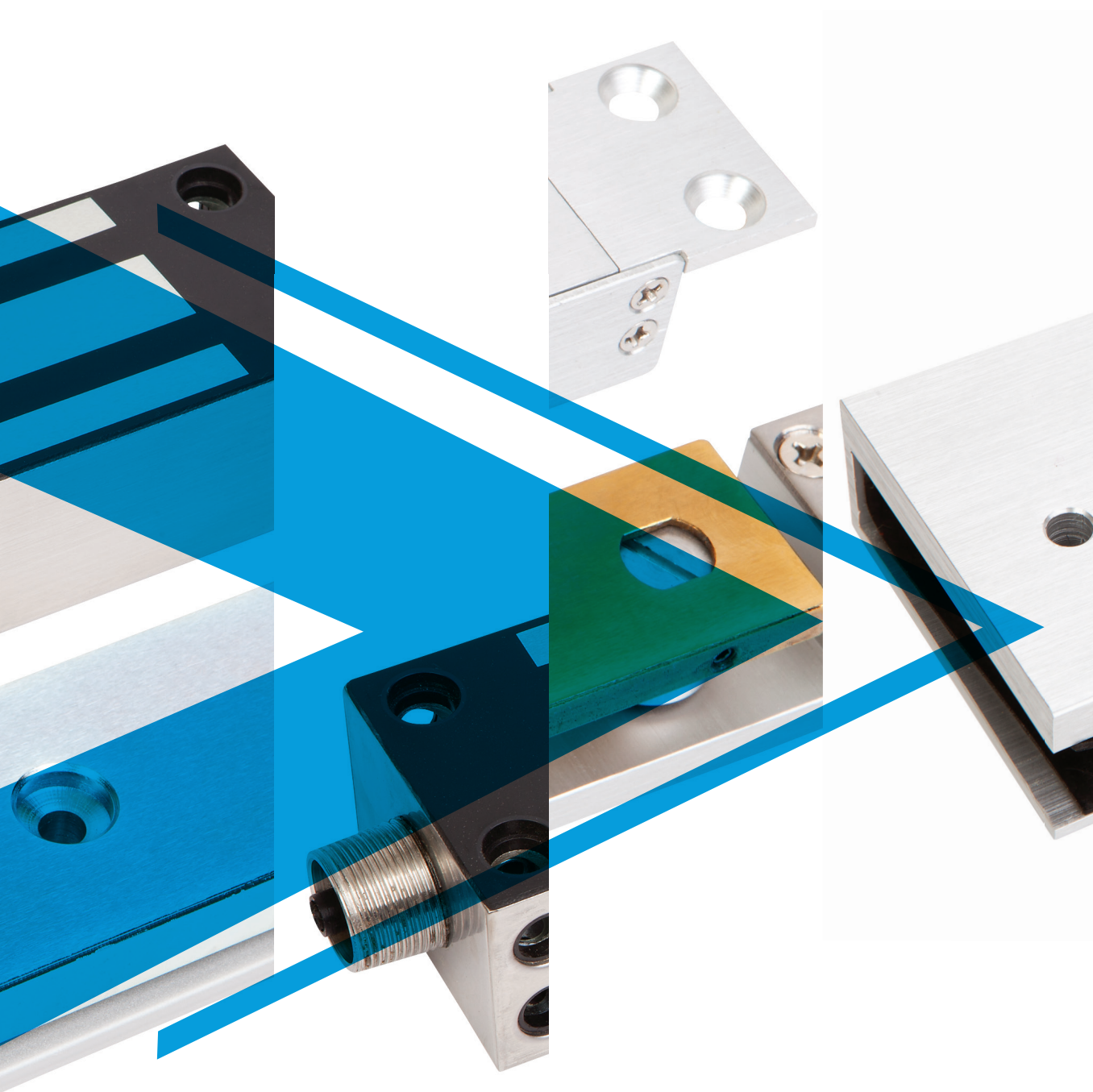
PRODUCT DIMENSIONS AND INSTALLATION



MEM4400 track mounted on automatic sliding door track

ELECTRO MAGNETIC LOCKING DEVICES

Electromechanical Locking



	FEATURES	PART NO.	PP
	High Quality Standard Electro Magnetic Locking Devices	FEM5700 SERIES	16
		FEM5700D SERIES	
	High Quality Standard Electro Magnetic Locking Devices	FEM3500/D	18
		FEM3500M/DM	
		FEM3500FM	
	High Quality Mini Electro Magnetic Locking Device	FCCW15S	20
		FCCW30S	
		FCCW30F	
	High Quality Weather Resistant Electro Magnetic Gate Locking Devices	FEM5000G	22
	High Quality Weather Resistant Mini Electro Magnetic Gate Locking Device	FEM4700FS-LSS	24
		FEM4500FS-RSW	
	Product Electro Magnetic Accessory		26

PRODUCT FEM5700 SERIES

HIGH QUALITY STANDARD ELECTRO MAGNETIC LOCKING DEVICES
SINGLE/DOUBLE DOOR SURFACE MOUNT



FEM5700 SERIES

PRODUCT DESCRIPTION

The FEM5700 is an unmonitored single magnetic lock and the FEM5700D is an unmonitored double magnetic lock with dual 12 or 24 Volt settings.

The FEM5700M is a monitored single magnetic lock and the FEM5700DM is a monitored double magnetic lock with 12 or 24 Volt settings. Each monitored magnetic lock has a built-in Hall Effect Sensor for remote monitoring of Lock status (LSS).

The devices have a patented highly visible high luminosity Light Panel and Door Status Sensor (DSS) for remote monitoring of the door status through a reed switch contact as well as a Lock Status Sensor (LSS). The monitored devices come with a Patented Anti-Tamper-Security-Plate as standard to prevent hostile attacks on the dome-nut-fixing bolt of the Armature Plate." All FEM5700 Series Electro Magnetic Locks come with a lifetime warranty and have no residual magnetism.

TECHNICAL DETAILS

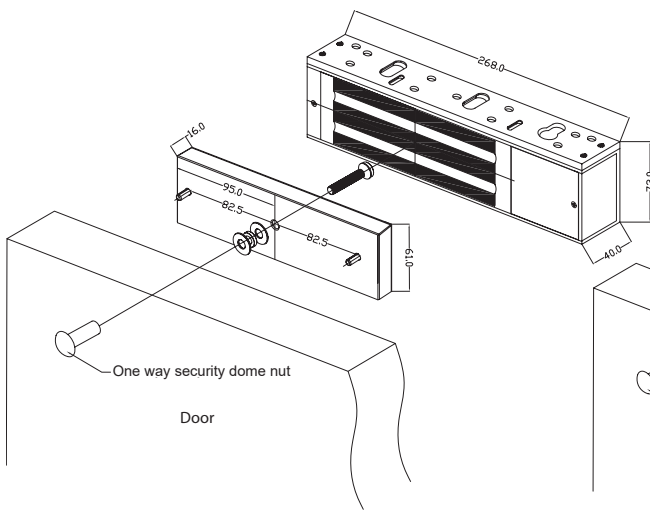
PART NO.	FEM5700 (single) FEM5700D (double)	FEM5700M (single) FEM5700DM (double)
HOLDING STRENGTH	Up to 580kg (for single magnetic lock)	
VOLTAGE/CURRENT	Dual Voltage 12/24VDC 12VDC=500mA (Double x2) 24VDC=260mA (Double x2)	
APPROVALS	4 hour fire rated to A.S. and B.S. standards	
MONITORING	NIL	LP LSS DSS
SIZE	Single door series magnet size: L= 268 x W= 73 x D= 40mm Single door series armature plate size: L= 190 x W= 61 x D= 16mm Single door series DSS-armature plate size: L= 252 x W= 61 x D= 16mm	Double door series surface magnet size: L= 535 x W= 73 x D= 40mm Double door series armature plate size: L= 190 x W= 61 x D= 16mm x 2 pcs Double door series DSS-armature plate size: L= 252 x W= 61 x D= 16mm x 2 pcs

PRODUCT FEATURES

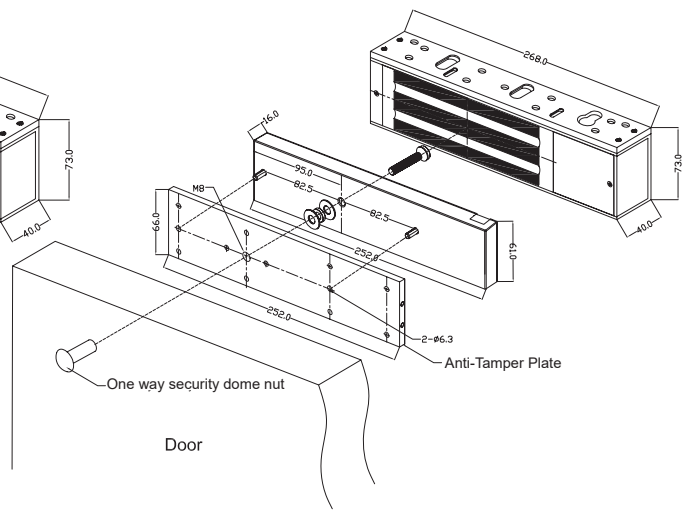
- Door and Lock Status Monitoring Sensor (DSS & LSS with "M" Models)
- Built-in varistor (MOV) surge protection
- CE/C-Tick
- Anti Tamper Plate (with "M" Models)
- Long distance Light Panel (LP)
- Lifetime warranty
- 4 hour fire tested
- No residual magnetism

PRODUCT DIMENSIONS AND INSTALLATION

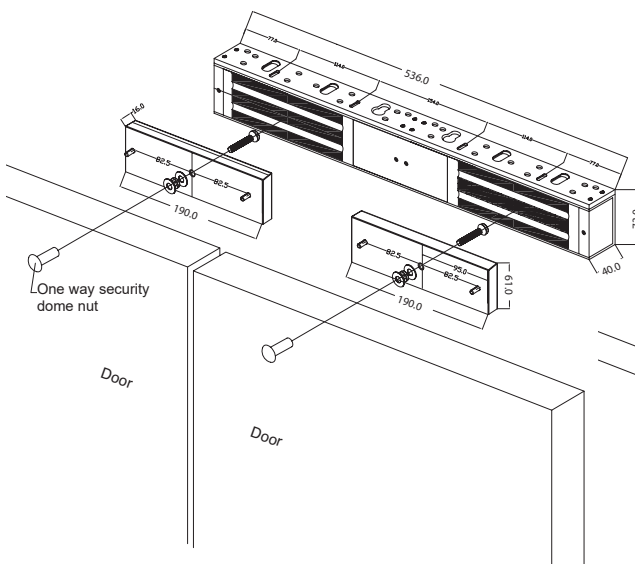
FEM5700



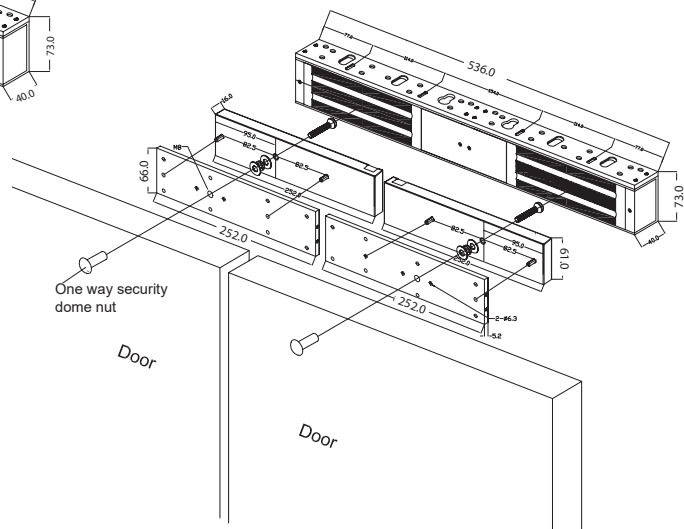
FEM5700M



FEM5700D



FEM5700DM



PRODUCT FEM3500 SERIES

HIGH QUALITY STANDARD ELECTRO MAGNETIC LOCKING DEVICES
SINGLE/DOUBLE DOOR SURFACE MOUNT



FEM3500 SERIES

PRODUCT DESCRIPTION

The FEM3500 is an unmonitored single magnetic lock and FEM3500D is an unmonitored double magnetic lock with dual 12 or 24 Volt settings.

The FEM3500M is a monitored single magnetic lock and the FEM3500DM is a monitored double magnetic lock both with 12 or 24 Volt settings. Each monitored magnetic lock has a built-in Hall Effect Sensor for remote monitoring of Lock status (LSS). The devices have a highly visible high luminosity Light Panel and a Door Status Sensor (DSS) for remote monitoring of the door status as well as Lock Status Sensor (LSS). The monitored devices come with a patented Anti-Tamper-Security-Plate as standard to prevent hostile attacks on the dome-nut-fixing bolt of the Armature Plate.

All FEM3500 Series Electro Magnetic Locks come with a lifetime warranty and have no residual magnetism.

TECHNICAL DETAILS

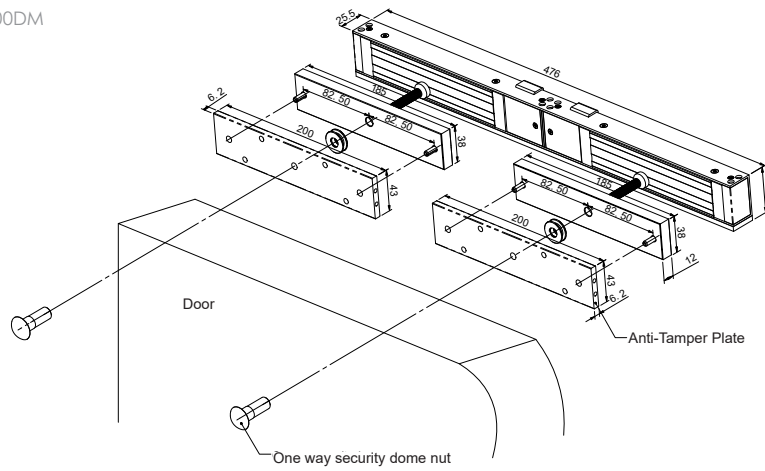
PART NO.	FEM3500(Single) FEM3500D(Double)	FEM3500M(Single) FEM3500DM(Double)	FEM3500FM (Flush Mounted)
HOLDING STRENGTH	Up to 280kg		
VOLTAGE/CURRENT	Dual Voltage 12/24VDC, 12VDC= 500mA (Double x2) 24VDC= 250mA (Double x2)		
APPROVALS	4 hour fire rated to A.S. and B.S. standards		
MONITORING	NIL	LP LSS DSS	LSS
SIZE	Single door series magnet size: L= 238 x W= 48 x D= 25mm Single door series armature plate size: L= 185 x W= 38 x D= 12mm Single door series DSS-armature plate size: L= 185 x W= 38 x D= 12mm	Double door series surface magnet size: L= 477 x W= 48 x D= 25mm Double door series armature plate size: L= 185 x W= 38 x D= 12mm x 2 pcs Double door series DSS-armature plate size: L= 185 x W= 38 x D= 12mm x 2 pcs	

PRODUCT FEATURES

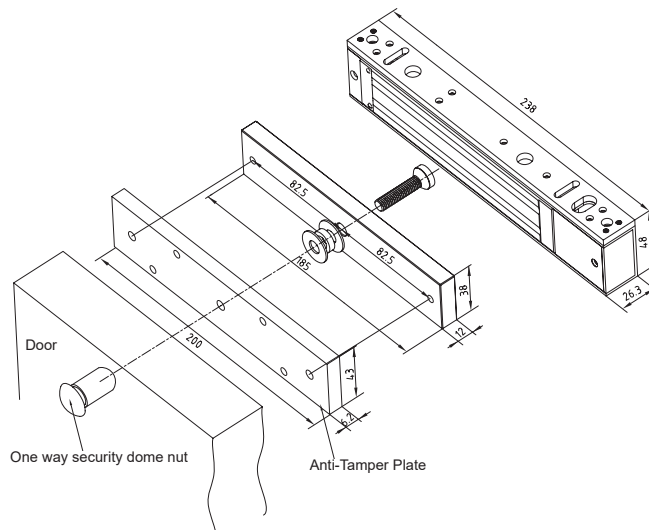
- Door and Lock Status Monitoring Sensor (DSS & LSS)
- Built-in varistor (MOV) surge protection
- CE/C-Tick
- Anti Tamper Plate (with "M" Models)
- Long distance Light Panel (LP)
- Lifetime warranty
- 4 hour fire tested
- No residual magnetism

PRODUCT DIMENSIONS AND INSTALLATION

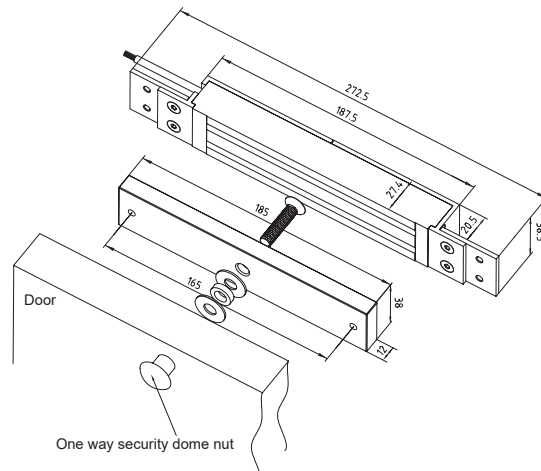
FEM3500D & FEM3500DM



FEM3500 & FEM3500M



FEM3500FM



PRODUCT FCCW MINI SERIES
 HIGH QUALITY MINI ELECTRO MAGNETIC LOCKING DEVICES
 SINGLE DOOR NON MONITORED



PRODUCT DESCRIPTION

The FSH small and compact range of "Mini" electro magnetic locks are specifically designed for securing cupboards, cabinets, lockers and the like, where a reasonably high holding force is required.

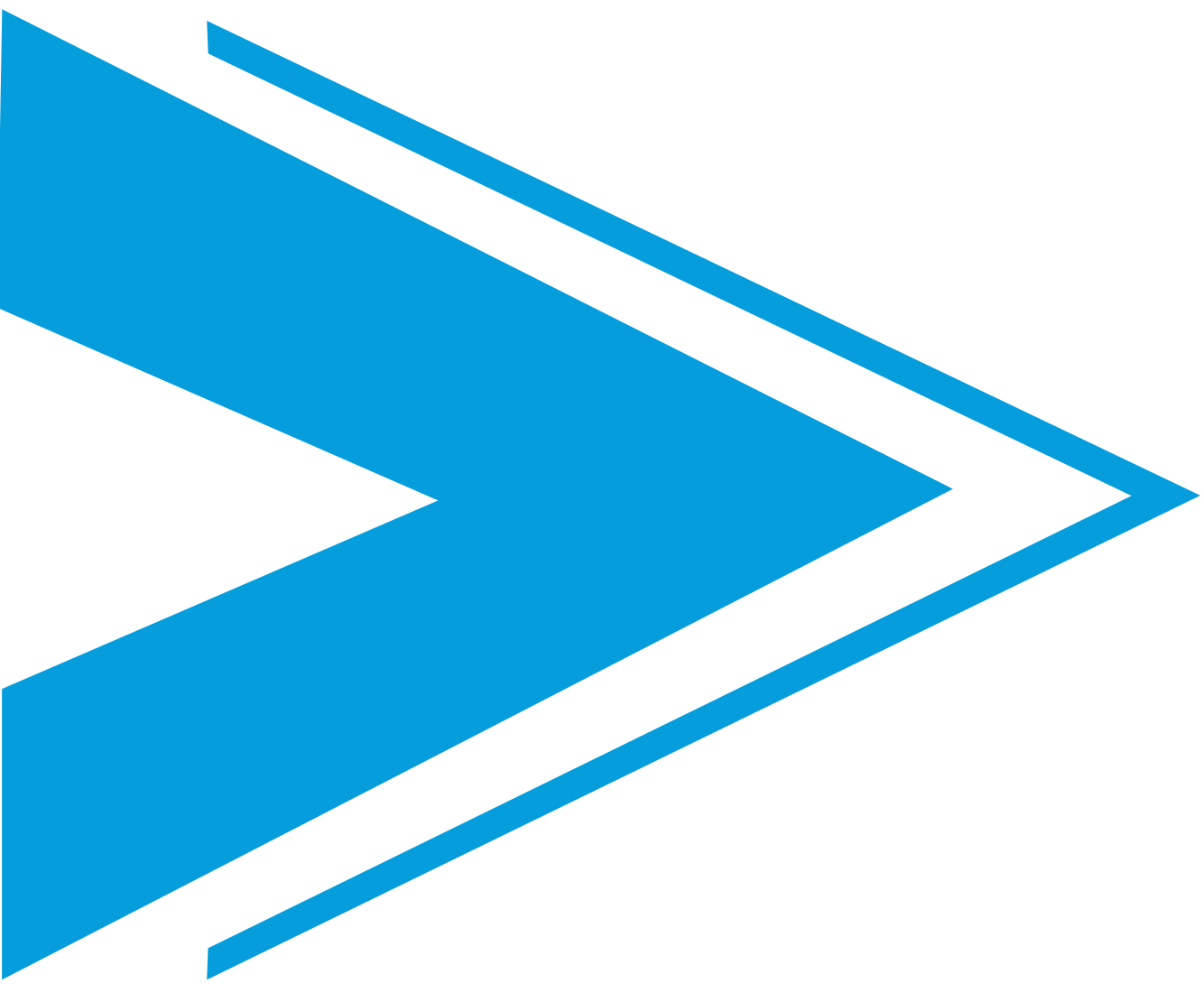
FCCW MINI SERIES

TECHNICAL DETAILS

PART NO.	FCCW15S	FCCW30S	FCCW30F (Flush mount)
HOLDING STRENGTH	Up to 75kg	Up to 180kg	
MONITORING	NIL	NIL	
VOLTAGE/CURRENT	Dual Voltage 12/24VDC 12VDC= 240mA 24VDC= 120mA	Dual Voltage 12/24VDC 12VDC= 350mA 24VDC= 175mA	
SIZE	Single door series magnet size: L= 107 x W= 37 x D= 20mm Single door series armature plate size: L= 65 x W= 32 x D= 9mm	Single door series magnet size: L= 166 x W= 39 x D= 21mm Single door series armature plate size: L= 130 x W= 32 x D= 8.3mm	Flush mount magnet size: L= 202 x W= 34 x D= 21mm Flush mount armature plate size: L= 130 x W= 32 x D= 8.3mm

PRODUCT FEATURES

- Built-in varistor (MOV) surge protection
- No residual magnetism
- CE/C-Tick
- Lifetime warranty



PRODUCT FEM5000G

HIGH QUALITY WEATHER RESISTANT ELECTRO MAGNETIC GATE LOCKING DEVICES



FEM5000G

PRODUCT DESCRIPTION

The Electro Magnetic Gate Lock FEM5000G has a holding force of up to 630kg and is IP67 weather resistant with a stainless steel body housing. The device provides a dual fixing arrangement, a built-in varistor surge protection and accepts both 12 and 24VDC.

The Electro Magnetic Gate Lock also provides the monitoring feature "Lock Status Sensor" by Hall-Effect (LSS). The Electro Magnetic Gate Lock comes with a lifetime warranty and is supplied with an Anti-Tamper-Plate as standard to prevent hostile attacks on the dome-nut-fixing bolt of the Armature Plate.

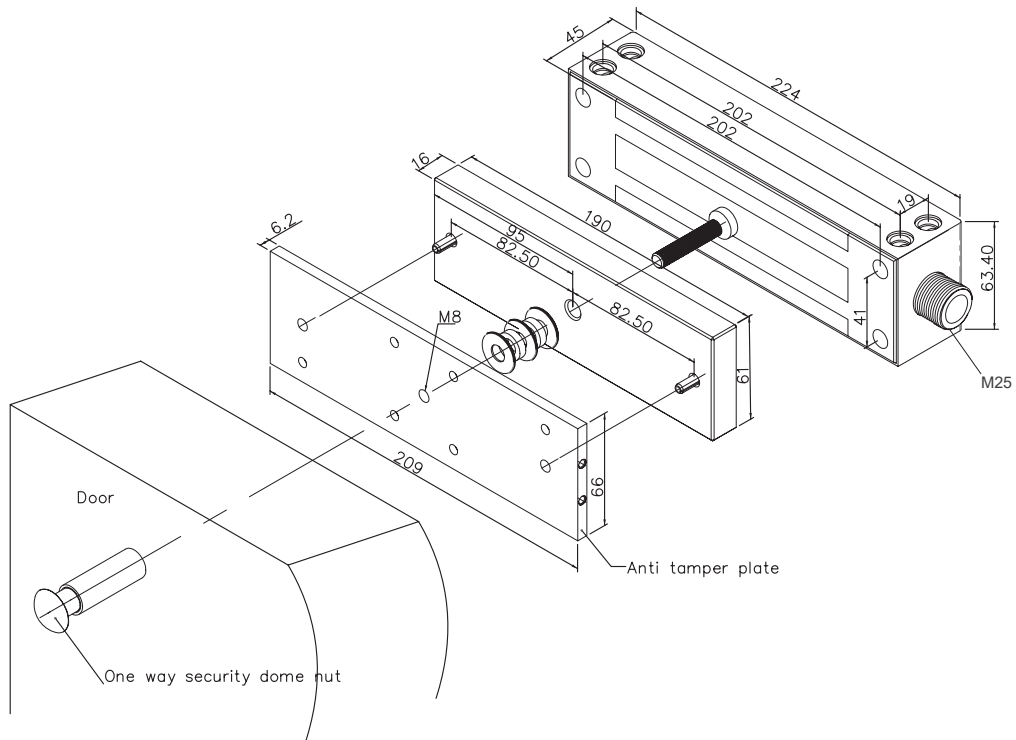
TECHNICAL DETAILS

PART NO.	FEM5000G
HOLDING STRENGTH	Up to 630kg
VOLTAGE/CURRENT	Dual Voltage 12/24VDC, 12VDC= 480mA 24VDC= 240mA
MONITORING	LSS
SIZE	Magnet size: L= 220 x W= 63 x D= 45mm Armature plate size: L= 190 x W= 61 x D= 16mm

PRODUCT FEATURES

- Lock Status Monitoring Sensor (LSS)
- Up to 630kg holding force
- Stainless 304 steel body housing
- Weather resistant IP67
- Lifetime warranty
- Anti Tamper Plate
- CE/C-Tick
- No residual magnetism

PRODUCT DIMENSIONS AND INSTALLATION



PRODUCT FEM4700FS-LSS | FEM4500FS RSW

HIGH QUALITY WEATHER RESISTANT MINI ELECTRO MAGNETIC GATE LOCKING DEVICES



PRODUCT DESCRIPTION

The Electro Magnetic Mini Gate Lock FEM4700FS-LSS has a holding force of up to 380kg and the Electro Magnetic Micro Gate Lock FEM4500FS-RSW has a holding force of up to 200kg.

Both products are IP67 weather resistant with stainless steel body housings. The devices provide a dual fixing arrangement, a built-in varistor surge protection and accept both 12 and 24VDC.

The FEM4700FS-LSS provides a monitoring feature "Lock Status Sensor (LSS) which is a Hall Effect sensor. The FEM4500FS-RW provides the monitoring feature which is a power dependent reed switch.

The Electro Magnetic Gate Locks come with a lifetime warranty.

FEM4700FS-LSS | FEM4500FS-RSW

TECHNICAL DETAILS

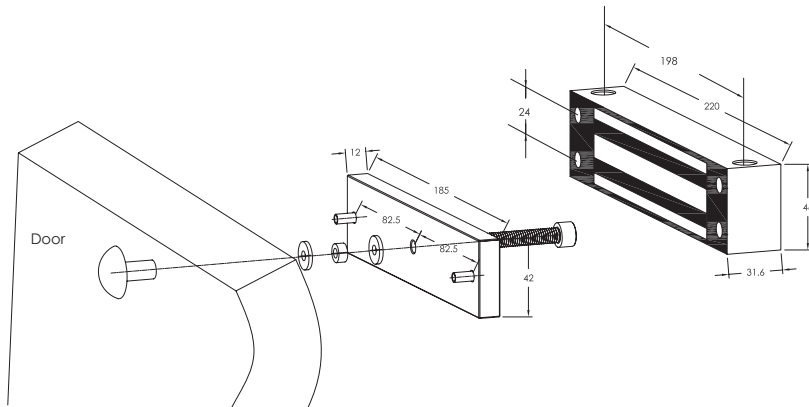
PART NO.	FEM4700FS-LSS	FEM4500FS-RSW
HOLDING STRENGTH	Up to 380kg	Up to 200kg
VOLTAGE/CURRENT	Dual Voltage 12/24VDC, 12VDC=400mA 24VDC=200mA	Dual Voltage 12/24VDC, 12VDC=360mA 24VDC=180mA
MONITORING	LSS	RSW (Power dependent Reed switch)
SIZE	Magnet size: L= 220 x W= 47 x D= 30.5mm Armature plate size: L= 185 x W= 42 x D= 12mm	Magnet size: L= 162 x W= 26 x D= 31mm Armature plate size: L= 130 x W= 30 x D= 8.7mm

PRODUCT FEATURES

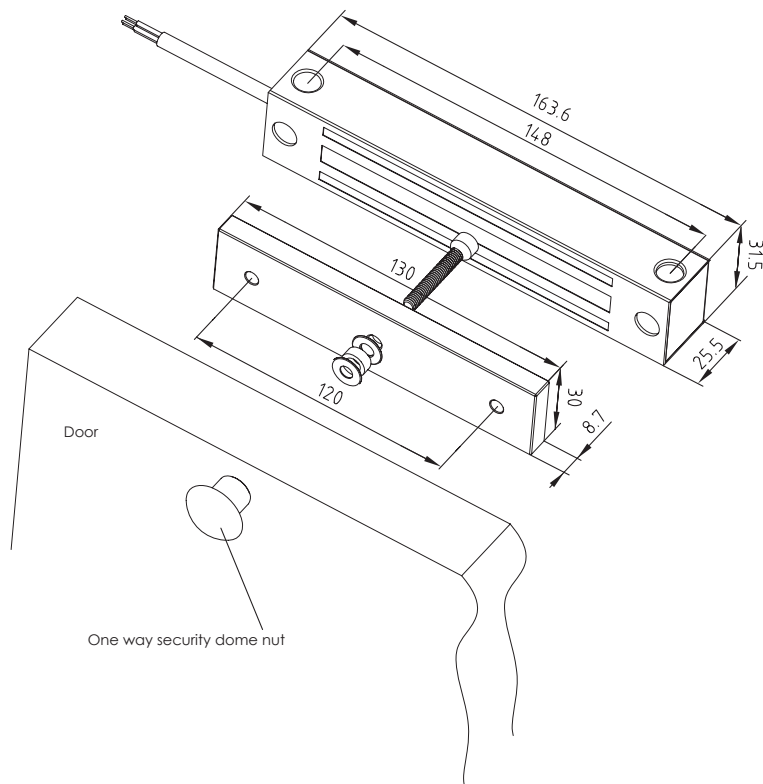
- Lock Status Monitoring Sensor (LSS)
- Stainless 304 steel body housing
- Weather resistant IP67
- Lifetime warranty
- CE/C-Tick
- No residual magnetism

PRODUCT DIMENSIONS AND INSTALLATION

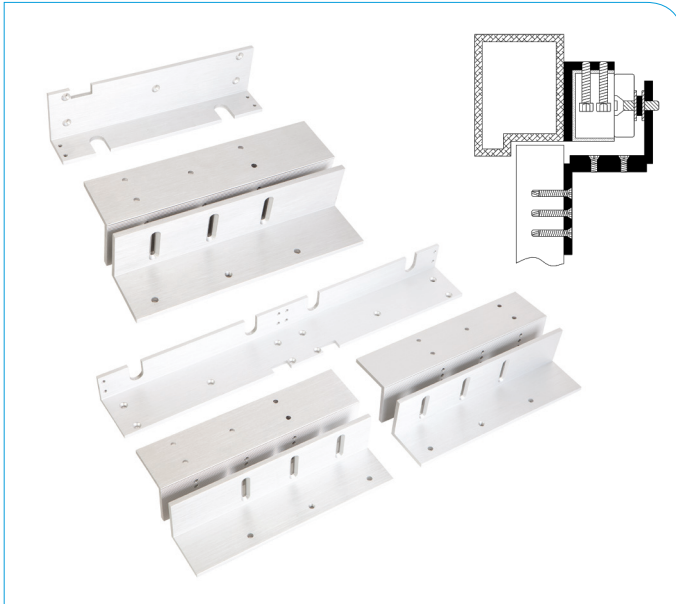
FEM4700FS-LSS



FEM4500FS-RSW



PRODUCT ELECTRO MAGNETIC LOCKING DEVICES ACCESSORIES

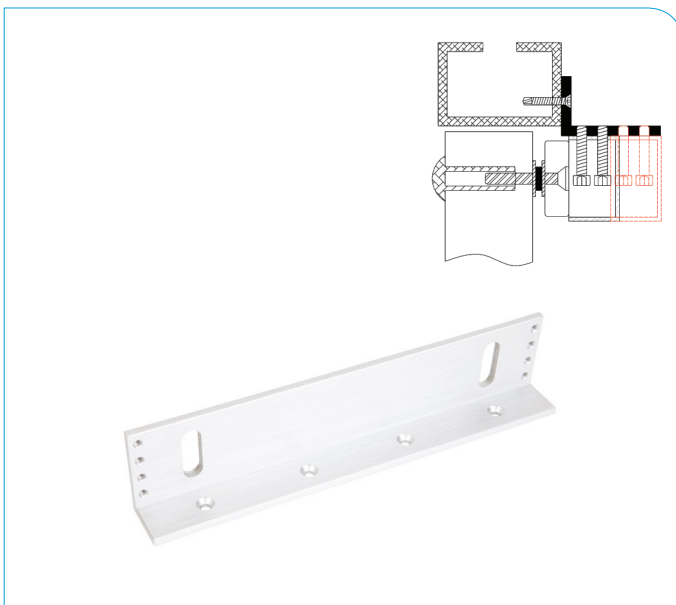


PRODUCT DESCRIPTION

Adjustable "L" and "Z" brackets for inward opening doors.

TECHNICAL DETAILS

PART NO.	BRACKET TO SUIT
AMZB1-LP	ECO5700M/ECO5700HS FEM5000G/FEM5700/FEM4000HST
AMZB1D-LP	FEM5700D/FEM4000DHST
AMZB1-LP DSS	FEM5700M
AMZB1D-LP DSS	FEM5700DM
AMZB4-LP	FEM3500/FEM4700FS
AMZB4D-LP	FEM3500D
AMZB4-LP	FEM3500M/ECO3500M
AMZB4D-LP	FEM3500DM
AMZB3	FCCW30S/FEM4500FS

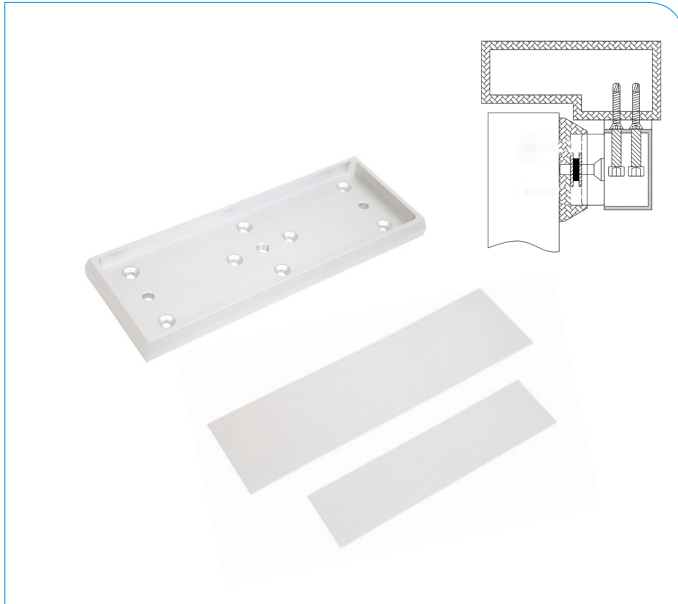


PRODUCT DESCRIPTION

Adjustable "L" bracket for narrow header doors.

TECHNICAL DETAILS

PART NO.	BRACKET TO SUIT
AMLB1	ECO5700M/FEM5700
2 x AMLB1	FEM5700D
AMLB1	FEM5700M
2 x AMLB1	FEM5700DM
AMLB4	FEM3500/FEM3500M/ECO3500M
2 x AMLB4	FEM3500D/FEM3500DM
AMFB3	FCCW30S

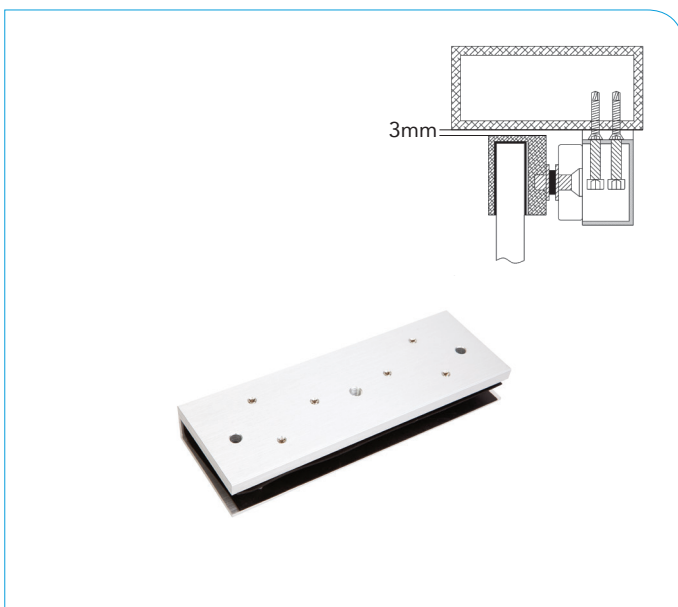


PRODUCT DESCRIPTION

Stick on armature plate holder for glass doors.
(recommended 3M VHB tape, not supplied)

TECHNICAL DETAILS

PART NO.	BRACKET TO SUIT
AMAB1	ECO5700M/FEM5700/ECO5700HS
2 x AMAB1	FEM5700D
AMAB1 DSS	FEM5700M
2 x AMAB1 DSS	FEM5700DM
AMAB4	FEM3500
2 x AMAB4	FEM3500D
AMAB4	FEM3500M/ECO3500M
2 x AMAB4	FEM3500DM



PRODUCT DESCRIPTION

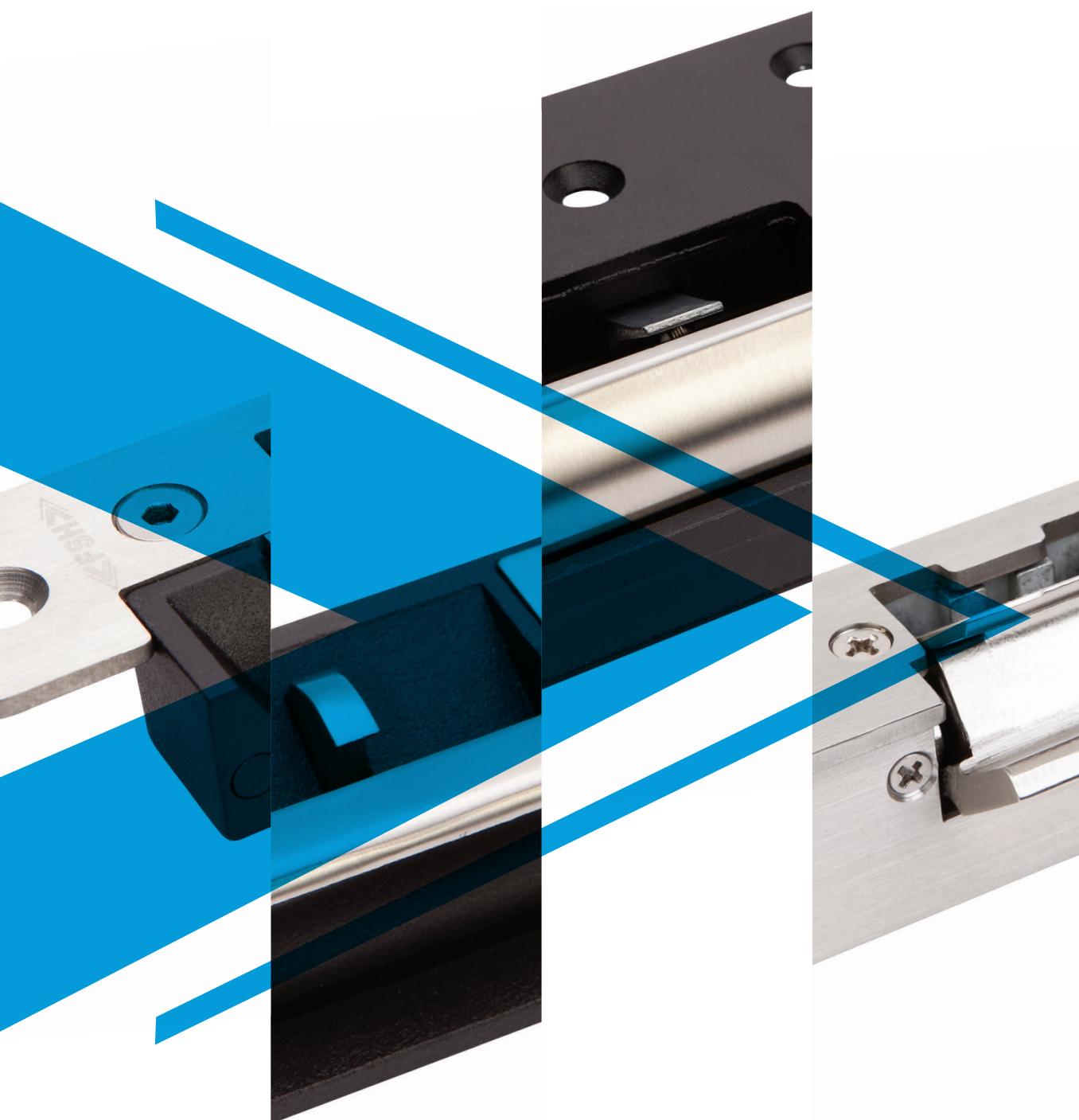
Glass Door Bracket "U-Profile" to fix armature plate to 10-12mm glass doors. We recommend a 6mm clearance between the door frame and top of the glass door.

TECHNICAL DETAILS

PART NO.	BRACKET TO SUIT
AMGB1-12	FEM5700/FEM5000G
2 x AMGB1-12	FEM5700D
AMGB1-12 DSS	FEM5700M
2 x AMGB1-12 DSS	FEM5700DM
AMGB4-12	FEM3500/FEM4700FS-LSS
2 x AMGB4-12	FEM3500D
AMGB4-12	FEM3500M/FEM4700FS-LSS
2 x AMGB4-12	FEM3500DM

ELECTRIC STRIKES

Electromechanical Locking



	FEATURES	PART NO.	PP
	High Security Electric Eco Strike	FES90M-P	30
		FES90M-P-S	
		FES90M-P-SM	
	High Security Electric Strike	FES20	32
		FES20M	
		FES20M-M	
	FSH Retroline Electric Strike Replacements	FEA20M	34
		FHC20M	
	Electric Strike-ANSI Footprint	FEM10M	36
		FES10	
	Electric Strike-RIM Mounted	FES15M	38
		FES15	

PRODUCT FES90M-P
 HIGH SECURITY ELECTRIC EcoStrike
 WITH PRE-LOAD CAPABILITY – AUSTRALIAN FOOTPRINT



FES90M-P

PRODUCT DESCRIPTION

The patented FES90M-P motorised High Security Electric EcoStrike with up to 35kg Pre-Load capability is a revolutionary electric locking solution. With a high Pre-Load /Side-Load tolerance and minimal energy consumption in 'Sleep-Mode' it is a truly "Green Locking Solution".

The strike accepts voltages from 10 to 30VDC, is pre-drilled for extension lips and has a unique and simple fail secure (Power To Open)/ fail safe (Power To Lock) switch-over function.

The door strike provides 2 forms of monitoring:

1. LSS (Lock Status Sensor)
2. DSS (Door Latch Sensor)

The electric strike consumes current less than 300mA @ 12VDC at full 35kg pre-load only during locking and unlocking action. In the locked or unlocked state (Sleep-Mode), the electric strike consumes current less than 15mA@12VDC.

FES90MP comes with a 10mm strike lip as standard, to prevent possible personal injury and damage to clothing as with 15mm lips.

The FES90M-P-S (and -SM) are both SCEC Approved to SL3.

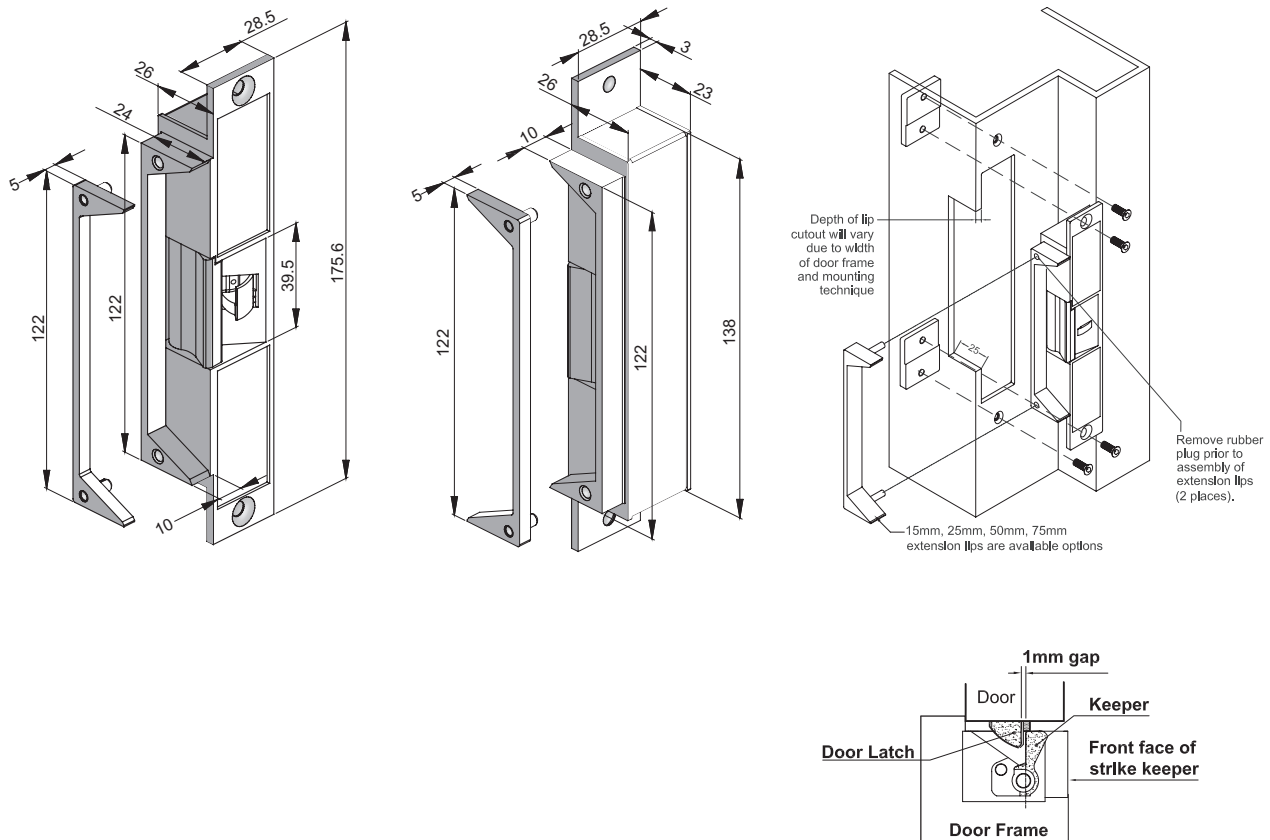
TECHNICAL DETAILS

PART NO.	FES90M-P	FES90M-P-S	FES90M-P-SM
FUNCTION	Mortice Mount, Power-To-Lock/Power-To-Release field interchangeable, 35kg of Pre-Load capability		
HOLDING STRENGTH	Up to 1300kg Tested to 1.5Mill full 35kg pre-load cycles		
VOLTAGE/CURRENT	Multi Voltage 10-30VDC Action Mode: 300mA@12VDC at full 35kg pre-load only during locking and unlocking action Sleep-Mode: 15mA @ 12VDC in locked or unlocked mode		
APPROVALS	4 hour fire rated to A.S. and B.S. Standards CE C-TICK	4 hour fire rated to A.S. and B.S. Standards CE C-TICK SCEC Approved to SL3	
MONITORING	LSS - Status Sensor of the internal locking mechanism DSS - Door Latch Sensor, Door latch engaged within strike keeper	LSS DSS Anti Tamper switch (strike installed in frame)	
ENVIRONMENTAL	Operational Temperature Range -20° to +60°C		

PRODUCT FEATURES

- Releases with up to 35kg of Pre-Load/Side Load
- Motorised locking device
- Durability tested to 1.5 Mill. full pre-load cycles of 35kg
- Multi voltage from 10 to 30VDC
- Sleep Mode Current less than 15mA@12VDC
- Pre-drilled for extension lips
- Up to 1300 kg holding strength
- 5 year warranty
- Shock/hammer resistant

PRODUCT DIMENSIONS AND INSTALLATION



ORDER DETAILS & ACCESSORIES

PART NO.	PRODUCT DESCRIPTION
FES90M-P	High Security Electric Eco Strike with pre-load capabilities Australian Footprint monitored 10mm Lip
FES90M-P-S	High Security Electric Eco Strike (as above) with Anti-tamper switch, SCEC Approved to SL3
FES90M-P-SM	High Security Electric Eco Strike (as above) with additional Door Position Magnets to be used with Electric Mortice Locks. SCEC Approved to SL3
FES90M-P-L2	High Security Electric Eco Strike with pre-load capabilities Australian Footprint monitored Lipless
FES20-EL15	FES20 Extension Lip 15mm
FES20-EL25	FES20 Extension Lip 25mm
FES20-EL50	FES20 Extension Lip 50mm
FES20-EL75	FES20 Extension Lip 75mm
FES20-Rebate	Rebate Kit for FES90MP & FES20 Series (Stainless Steel)

PRODUCT FES20 SERIES
HIGH SECURITY ELECTRIC STRIKES –AUSTRALIAN FOOTPRINT



FES20 SERIES

PRODUCT DESCRIPTION

The patented FES20 Series high security electric door strikes are manufactured from stainless steel and have the advantage of accepting D.C Voltages from 12 - 36Volts.

The FES20 Series Strikes are pre-drilled for extension lips and the 20M model is provided with full monitoring including true patented "Anti-Tamper." Independently tested, the FES20 Series electric strikes are the strongest of their category.

FES20 Series Strikes now come with a 10mm strike lip as standard, to prevent possible personal injury and damage to clothing as with 15mm lips. The FES20M Strike is SCEC approved for secure areas.

The FES20M + FES20M-M are all SCEC approved to SL3.

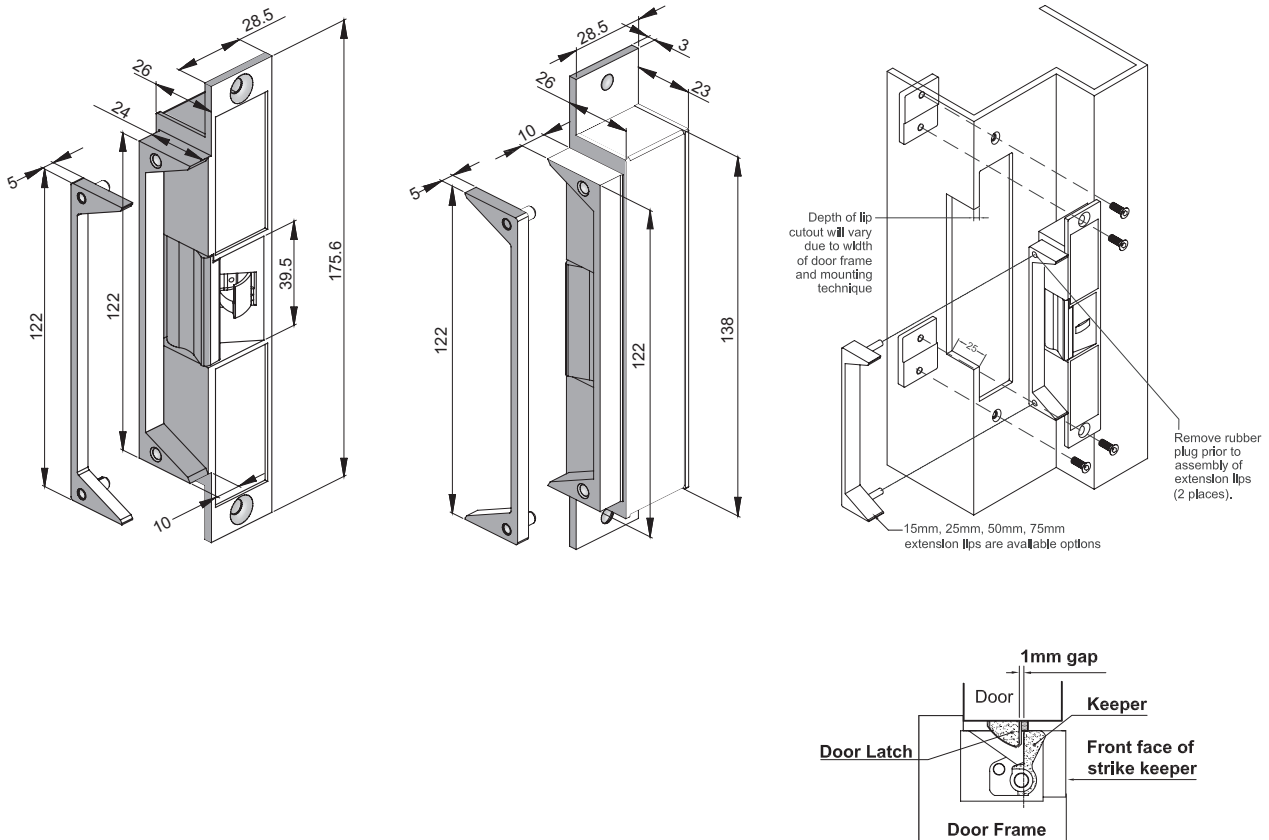
TECHNICAL DETAILS

PART NO.	FES20	FES20M	FES20M-M
FUNCTION	Mortise mount, Power To Lock/Power To Release site interchangeable.		
HOLDING STRENGTH	Up to 1490kg		
VOLTAGE/CURRENT	Multi Voltage 12-36VDC 12VDC= 220mA 24VDC= 120mA 36VDC= 80mA		
APPROVALS	4 hour fire rated	SCEC Approved to SL3 4 hour fire rated to A.S. and B.S. standards	
MONITORING	Non monitored	FES20M Fully monitored, door latch monitoring (DSS) Lock Status Monitoring (LSS) Strike installed in frame (ATS) FES20M-M as FES20M plus additional Reed Magnets	

PRODUCT FEATURES

- 5 year warranty
- Simple Power To Lock/Power To Release interchange
- No loose pins and springs
- Pre-drilled for extension lips
- Mounting kit included
- SCEC Approved to SL3 (FES20M, FES20M-M)
- Fire rated
- CE/C-Tick
- Superior holding strength

PRODUCT DIMENSIONS AND INSTALLATION



ORDER DETAILS & ACCESSORIES

PART NO.	PRODUCT DESCRIPTION
FES20	High Security Electric Strike Australian Footprint non-monitored 10mm Lip
FES20M	High Security Electric Strike Australian Footprint monitored 10mm with extension Lip (SCEC)
FES20M-L2	High Security Electric Strike Australian Footprint with no extension Lip (Lipless)
FES20M-M	High Security Electric Strike Australian Footprint, 10mm Lip, additional Door Position Magnets to be used in combination with Electric Mortice Locks (SCEC)
FES20-EL15	FES20 Extension Lip 15mm
FES20-EL25	FES20 Extension Lip 25mm
FES20-EL50	FES20 Extension Lip 50mm
FES20-EL75	FES20 Extension Lip 75mm
FES20-Rebate	Rebate Kit for FES20 Series (Stainless Steel)

PRODUCT FEA20M & FHC20M SERIES

FSH RETROLINE ELECTRIC STRIKE REPLACEMENTS FOR HARCOR AND PADDE EA



PRODUCT DESCRIPTION

The RetroLine Series Strikes are designed to replace the redundant PADDE EA and HARCOR Electric Strikes. The strikes are modified versions of the FSH FES20M product. A small modification on the door frame has to be made to replace existing PADDE EA or HARCOR strikes.

The RetroLine FEA20M and FHC20M high security electric door strikes have Door Status and Lock Status monitoring (DSS & LSS), are manufactured from stainless steel and have the advantage of accepting D.C. voltages from 12 to 36Volts.

FEA20M & FHC20M SERIES

TECHNICAL DETAILS

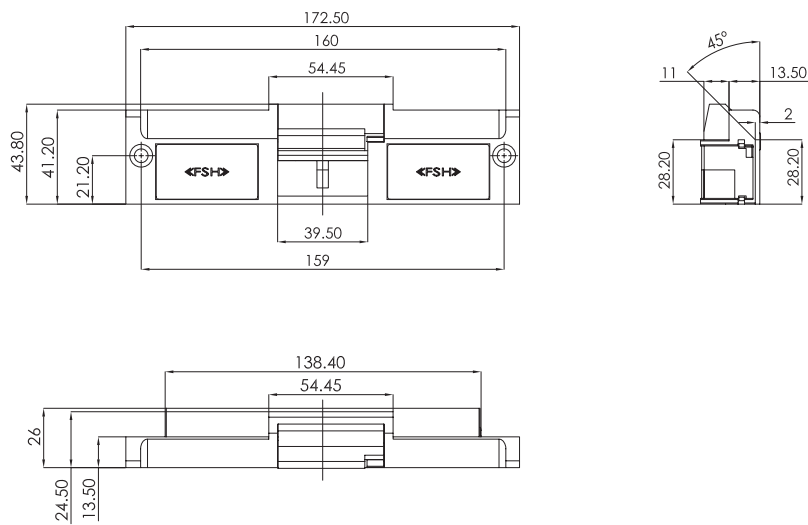
PART NO.	FEA20M	FHC20M
FUNCTION	Mortice mount, Power To Lock/Power To Release site interchangeable. Input Voltage: 12-36VDC	
HOLDING STRENGTH	Up to 1490kg	
VOLTAGE/CURRENT	12VDC=220mA 24VDC=120mA 36VDC=80mA	
APPROVALS	Up to 4h fire rated to A.S/B.S Standards	
MONITORING	Fully monitored, Door latch monitoring (DSS), Lock Status monitoring (LSS)	

PRODUCT FEATURES

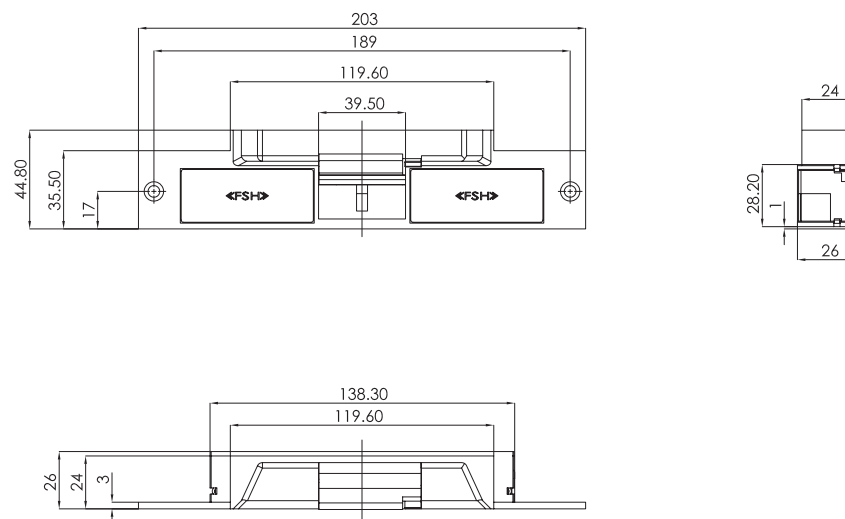
- 5 year warranty
- Simple Power To Lock/Power To Release interchange
- No loose pins and springs
- CE/C-Tick
- Superior holding strength

PRODUCT DIMENSIONS AND INSTALLATION

FEA20M



FHC20M



PRODUCT FES10 SERIES
ELECTRIC STRIKE –ANSI FOOTPRINT



PRODUCT DESCRIPTION

The patented small ANSI footprint, FES10 Series Electric Strikes are designed for light commercial and residential applications. They accept voltages of either 12 or 24VDC, are fire tested up to a 4 hour fire resistance rating to both Australian and British Fire Test Standards.

The strikes are easily site-interchangeable Power To Lock (PTL) or Power To Release (PTR) by simply changing over the Barbell mechanism. The device is pre-drilled to cater for extension lips, come with a 5 year warranty and have a holding strength of up to 1300kg. The FES10M version comes with Door Status Sensor (door latch monitoring). The FES10 version is weather resistant IP56 rated.

FES10 SERIES

TECHNICAL DETAILS

PART NO.	FES10M	FES10
FUNCTION	Mortise mount, Power To Lock/Power To Release site interchangeable. Input Voltage: 12/24VDC	
HOLDING STRENGTH	Over 1300kg	
VOLTAGE/CURRENT	Dual Voltage 12VDC/200mA 24VDC/100mA	
APPROVALS	2 hour fire rated to A.S. and B.S. standards	
MONITORING	Door Latch monitoring	Non monitored
SIZE	L= 125 x W= 42 x D= 35mm	
IP RATING	Not Weather Resistant	Weather resistant IP56

PRODUCT FEATURES

- Stainless steel faceplate and keeper
- Patented Barbell mechanism for simple change of locking function
- Low power consumption
- Compatible with door latch depth of up to 15mm
- Weather resistant IP56 (FES10 non monitored only)
- Superior holding strength of up to 1300kg
- 5 year warranty
- 12 or 24VDC operation
- Pre-drilled for extension lips

PRODUCT FES15 SERIES
ELECTRIC STRIKE – RIM MOUNTED (SURFACE)



PRODUCT DESCRIPTION

The patented RIM-Mounted, FES15 Series Electric Door Strikes are designed for pedestrian gate application or any other light commercial/residential application where a RIM Mounted strike is required. They accept voltages of either 12 or 24VDC, are fire tested up to a 2 hour fire resistance rating to both Australian and British Fire Test Standards.

The strike are easily site-interchangeable Power To Lock (PTL) or Power To Release (PTR) by simply changing over the Barbell mechanism. The device comes with a 5 year warranty and has a holding strength of up to 1250kg. The FES15M version comes with Door Status Sensor (door latch monitoring) and the non-monitored FES15 version is weather resistant IP56 rated.

FES15 SERIES

TECHNICAL DETAILS

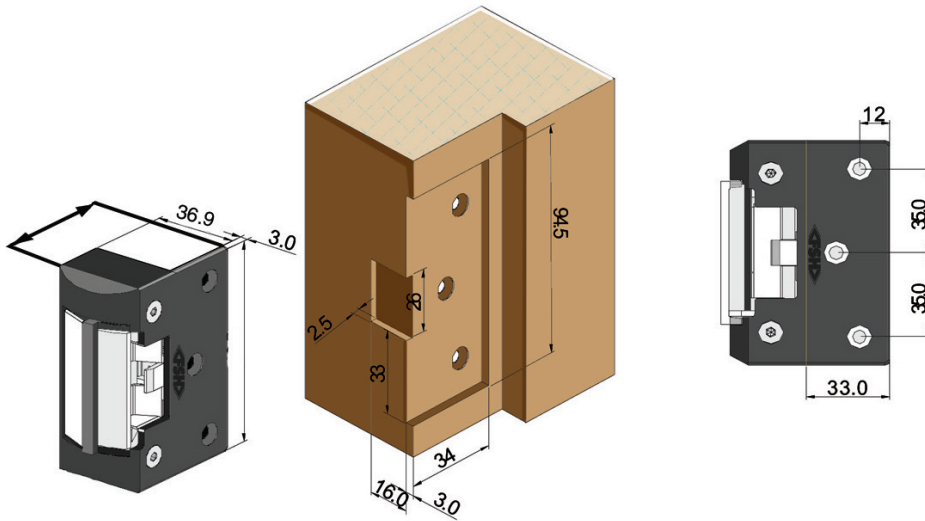
PART NO.	FES15M	FES15
FUNCTION	Surface mount electric strike for rim latch control	
HOLDING STRENGTH	Over 1252kg	
VOLTAGE/CURRENT	Dual voltage 12VDC/200mA 24VDC/100mA	
APPROVALS	2 hour fire rating	
MONITORING	Door latch monitoring Anti Tamper monitoring	Non monitored
IP RATING	Not Weather Resistant	Weather resistant IP56

PRODUCT FEATURES

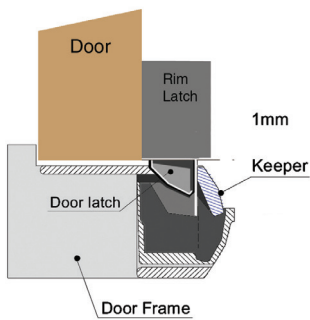
- Barbell mechanism for easy change of locking function
- Low power consumption
- Weather resistant IP56 (FES15 non monitored only)
- Superior holding strength of up to 1250kg
- 5 year warranty
- 12 or 24VDC operation
- Surface mount for RIM-Locks

PRODUCT DIMENSIONS AND INSTALLATION

Timber Door Frame Cut Out






Mechanical Door Lock Configuration



ORDER DETAILS

PART NO.	PRODUCT DESCRIPTION
FES15M	Electric Strike RIM-Mounted
FES15	Electric Strike RIM-Mounted weather resistant IP56

	FEATURES	PART NO.	PP
	High Security Motorised Drop Bolt EcoLock	VE1260	42
	Standard Electric Drop Bolt	DB1260PTO	46
		DB1260PTL	
	High Security Motorised Hook Lock for Sliding Doors	HL1260	48

PRODUCT VE1260

HIGH SECURITY MOTORISED DROP BOLT WITH PRE-LOAD CAPABILITY EcoLock



VE1260

PRODUCT DESCRIPTION

The patented EcoLock VE1260 is a high torque motor driven Drop Bolt with up to 35kg pre-load/side load tolerance. It can be installed vertically in the door frame (lock style) or horizontally in the frame header and has a symmetric dead-bolt mechanism to allow to be used on 180° degree swing through doors.

The VE1260 is considered a "Green Product" as it consumes an inrush current of 290mA@12VDC **only** during locking and unlocking action (Active Mode), then in the locked or unlocked state (Sleep-Mode), the Drop Bolt consumes current less than 15mA@12VDC.

A series of additional Strike Plates allow for door misalignment of up to ±12mm and a retrofit version of the FSH Eco Lock is available to suit the PADDE/TRIMEC ES8000 drop bolt footprint.

We recommend to operate the product in 3-Wire-Mode (see installation manual).

TECHNICAL DETAILS

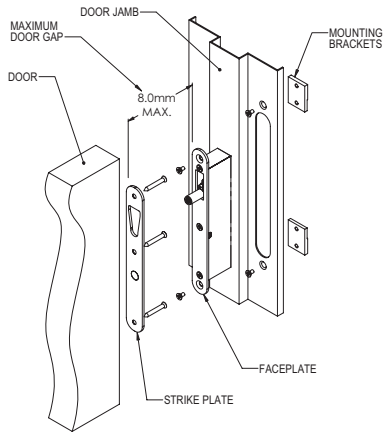
PART NO.	VE1260
FUNCTION	Mortice Mount, power-to-lock/power-to-release field interchangeable, up to 35kg of Pre-Load capability, locking up to 8kg locking strength
HOLDING STRENGTH	Up to 1000kg (with special bracket)
VOLTAGE/CURRENT	Multi Voltage 12-30VDC Active Mode: Locking/Unlocking cycle current is 0.29A to 0.85A depending on the side load. More side load = more current. Sleep-Mode: After locking/unlocking the current drops down to ~0.015A (15mA)
APPROVALS	CE C-Tick Fire rated in accordance with AS1905.1.2005 Part 1 to up to 4 hours on fire door assemblies
MONITORING	Lock Status Sensor of the internal locking mechanism Door Status Sensor Built-in Reed Switch, monitoring the door position
ENVIRONMENTAL	Operational Temperature Range -20° to +60°C
DURABILITY	Exceeding Australian Standard AS4145.2-2008 400,000 operating cycles • Durability D7
STRENGTH	Meeting Australian Standard AS4145.2-2008 • Static Strength S8 • Impact Strength S8
MAXIMUM DOOR GAP	8mm
DOOR MISALIGNMENT	Standard Strike Plate ± 4mm Special Strike Plate up to ± 12mm

PRODUCT FEATURES

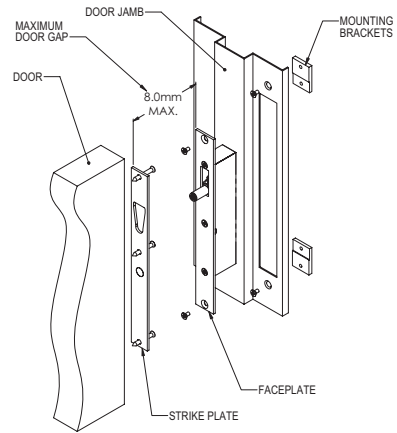
- Releases with up to 35kg of Pre-Load/Side Load (3-wire mode)
- Motorised locking device
- Durability tested to 400,000 cycles
- Multi voltage from 12 to 30VDC
- Sleep-Mode Current less than 15mA@12VDC
- Fully monitored including Reed Switch for door position
- Up to 1000kg Holding Strength
- 5 year warranty
- Retrofit version for Trimec/PADDE ES8000 (VE1260S Square Edge Version)

PRODUCT DIMENSIONS AND INSTALLATION

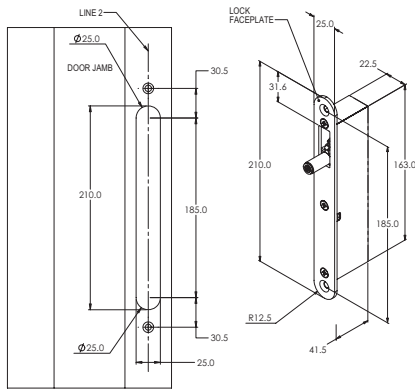
VE1260R Round Edge



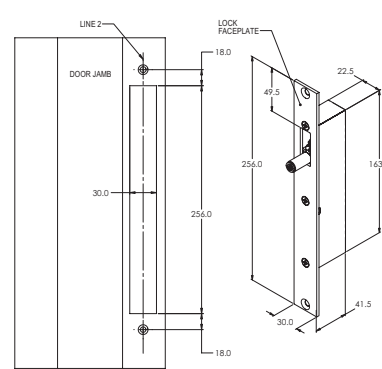
VE1260S Square Edge



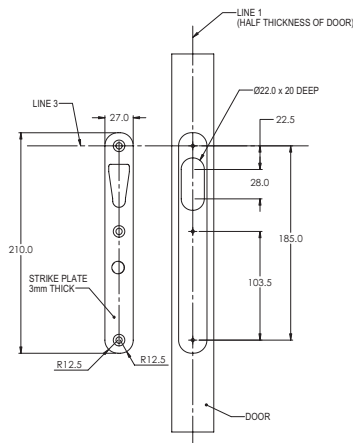
Locking Device VE1260R Round Edge



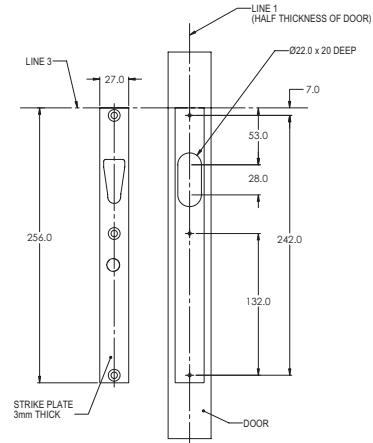
Locking Device VE1260S Square Edge



Strike Plate VE1260R Round Edge

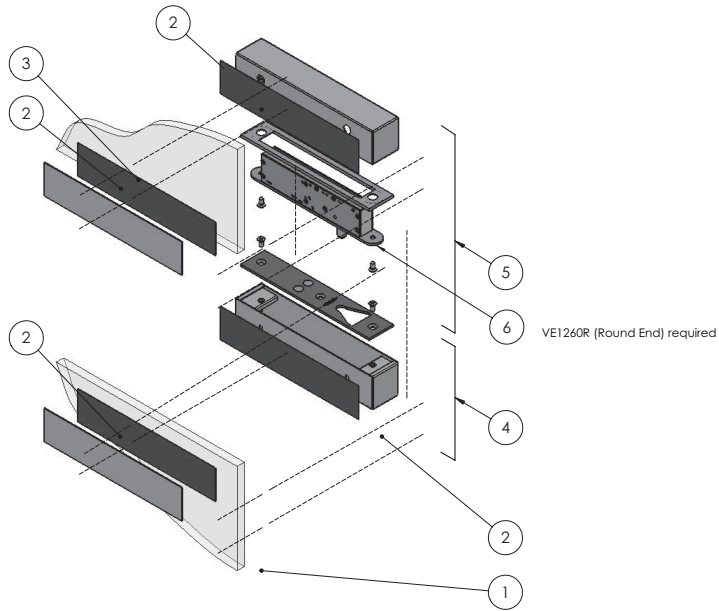
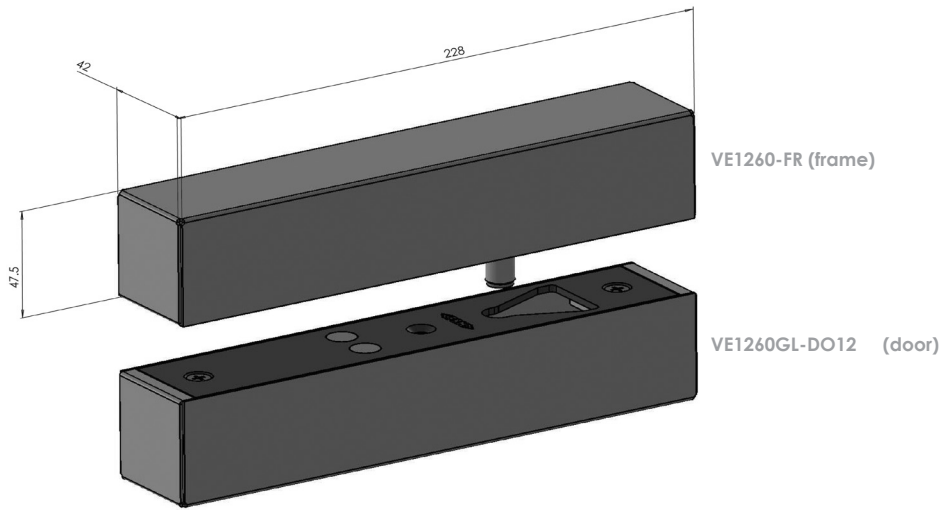


Strike Plate VE1260S Square Edge

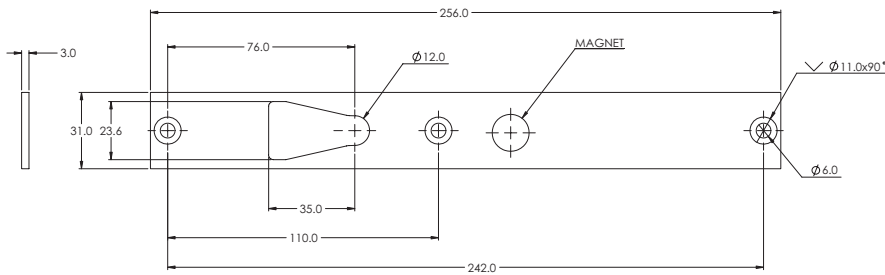
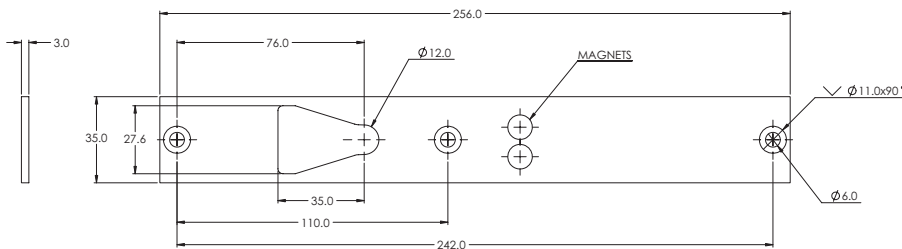
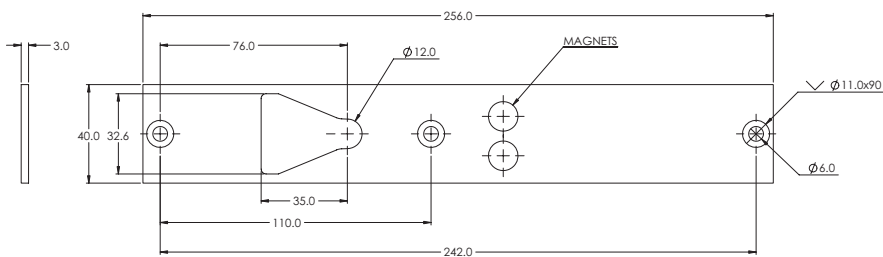


PRODUCT DIMENSIONS AND INSTALLATION

VE1260-GL Glass Door Mounting Boxes



ITEM NO.	PartNo	DESCRIPTION	QTY.
1		GLASS DOOR	1
2	SUPPLIED BY OTHERS	3M VHB ADHESIVE TAPE No. 4910	4
3		GLASS HEADER	1
4	VE1260GL-DO12	VE1260R GLASS DOOR MOUNT - DOOR KIT	1
5	VE1260GL-FR	VE1260R GLASS DOOR MOUNT - FRAME KIT	1
6	VE1260R	Pre-Load Drop Bolt	1

Accessory Strike Plate **VE1260S-ST6**Accessory Strike Plate **VE1260S-ST9**Accessory Strike Plate **VE1260S-ST12**

ORDER DETAILS

PART NO.	PRODUCT DESCRIPTION
ECOLOCK VE1260 SERIES	
VE1260R	EcoLock Pre-Load Drop Bolt 25mm Face Plate including 27mm Strike Plate ROUND END to cater for ± 4 mm door misalignment
VE1260S	EcoLock Pre-Load Drop Bolt 30mm Face Plate including 27mm Strike Plate SQUARE END to cater for ± 4 mm door misalignment (PADDE ES8000 Replacement)
ACCESSORIES VE1260 SERIES	
VE1260-FR	Glass Door Box for VE1260R Lock (includes adaptor, lock not included)
VE1260GL-DO12	Glass Door Box to cater for ± 12 mm door misalignment (includes ST12 faceplate)
VE1260S-ST6	Strike Plate 31mm for VE1260 Series to cater for +6mm door misalignment minimum Door Thickness 35mm SQUARE EDGE
VE1260S-ST9	Strike Plate 35mm for VE1260 Series to cater for ± 9 mm door misalignment minimum Door Thickness 40mm SQUARE EDGE
VE1260S-ST12	Strike Plate 40mm for VE1260 Series to cater for ± 12 mm door misalignment minimum Door Thickness 50mm SQUARE EDGE

PRODUCT DB1260
STANDARD ELECTRIC DROP BOLT MORTISE MOUNT



PRODUCT DESCRIPTION

The DB1260 is designed for installation on narrow frame swing doors, and/or glass door mounting. The drop bolt body depth of 35mm will fit into a 44mm depth door frame. The drop bolt is available in either "Power To Lock" or "Power To Release" format.

Product not recommended to be used on Emergency Egress Door.

DB1260

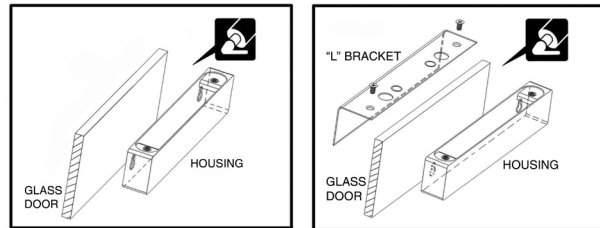
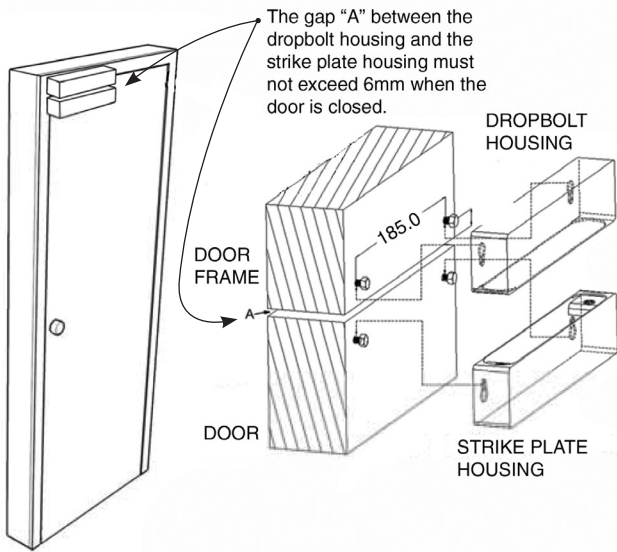
TECHNICAL DETAILS

PART NO.	DB1260PTO (Power To Release)	DB1260PTL (Power To Lock)
FUNCTION	Slimline mortise mount drop bolt	
HOLDING STRENGTH	Up to 300kg	
VOLTAGE/CURRENT	12-24VDC, 12VDC 1.15A(in-rush) 250mA holding	
APPROVALS	4 hour fire rated to A.S. and B.S. standards	
MONITORING	Door sensor Remote release Bi-coloured LED Audible tone	
ENVIRONMENTAL	L= 210 x W= 25 x D= 35mm	

PRODUCT FEATURES

- Internal control circuits protect drop bolt pin from damage
- Power To Lock or Power To Release (to be specified)
- Auto lock function
- Built-in varistor (MOV) for surge protection
- Time delay setting at 0/3/6/10 secs
- 1 year warranty

PRODUCT DIMENSIONS AND INSTALLATION



GLASS DOOR MOUNT APPLICATION

1. All surfaces must be clean, free of dirt, oil or grease
2. Apply 3M VHB adhesive (not supplied) in accordance with the manufacturer's instructions and fit to glass door/head panel as detailed below

ORDER DETAILS & ACCESSORIES

PART NO.	PRODUCT DESCRIPTION
DB1260	
DB1260PTO	Slimline Drop Bolt Faceplate 25mm round style Power To Release/Open
DB1260PTL	Slimline Drop Bolt Faceplate 25mm round style Power To Lock
DROP BOLT ACCESSORIES	
DB1260BOX	Surface Mount Box for DB1260 Slimline Drop Bolt
DB1260LPLATE	Long Strike Plate for DB1260 Slimline Drop Bolt
DB1260LMAG	L-Glass-Fixing-Bracket for DB1260 with Magnets

PRODUCT HL1260
HIGH SECURITY MOTORISED HOOK LOCK for Sliding Doors



PRODUCT DESCRIPTION

The patented HL1260 is a high torque motor driven hook lock for a sliding door. It can be installed vertically in the door frame (lock style) with the strike plate mounted on the edge of the door.

Alternatively there is a surface mount box for the strike plate and/or lock for a sliding door.

The HL1260 is considered a "Green Product" as it consumes an in-rush current of 290mA@12VDC only during locking and unlocking action (active Mode), then in the locked or unlocked state (Sleep-Mode), it consumes current less than 15mA@12VDC.

The Hook Lock HL1260 should not be installed to doors exposed to wind and weather.

We recommend to operate the product in 3-Wire-Mode (see installation manual).

HL1260

TECHNICAL DETAILS

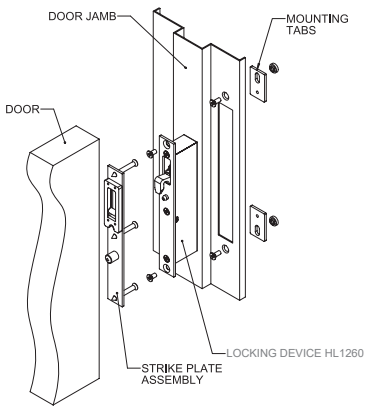
PART NO.	HL1260
FUNCTION	Mortice Mount, power-to-lock/power-to-release field interchangeable
HOLDING STRENGTH	Up to 650kg
VOLTAGE/CURRENT	Multi Voltage 12-30VDC Active Mode: Locking/Unlocking cycle current is 0.29A to 0.85A depending on the load Sleep-Mode: After locking/unlocking the current drops down to ~0.015A (15mA)
APPROVALS	CE C-Tick
MONITORING	<u>Lock Status Sensor</u> of the internal locking mechanism <u>Door Status Sensor</u> Built-in Reed Switch, monitoring the door position
ENVIRONMENTAL	Operational Temperature Range -20 to +60C
DURABILITY	Exceeding Australian Standard AS4145.2-2008 400,000 operating cycles • Durability D7
STRENGTH	Meeting Australian Standard AS4145.2-2008 • Static Strength S8 • Impact Strength S8

PRODUCT FEATURES

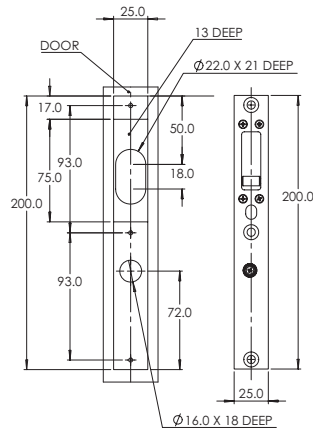
- Motorised locking device
- Durability tested to 400,000 cycles
- Multi voltage from 12 to 30VDC
- Sleep-Mode Current less than 15mA@12VDC
- Fully monitored including Reed Switch for door position
- Up to 650 kg Holding Strength
- 5 year warranty

PRODUCT DIMENSIONS AND INSTALLATION

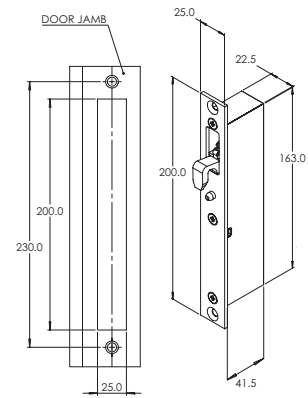
HL1260 Hook Lock Mortise Mount



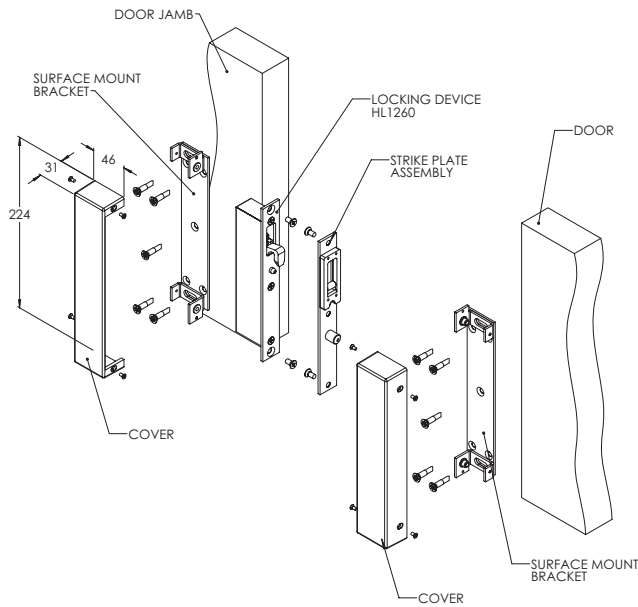
Strike Plate HL1260



Locking Device HL1260



HL1260-SMK Surface Mount Box

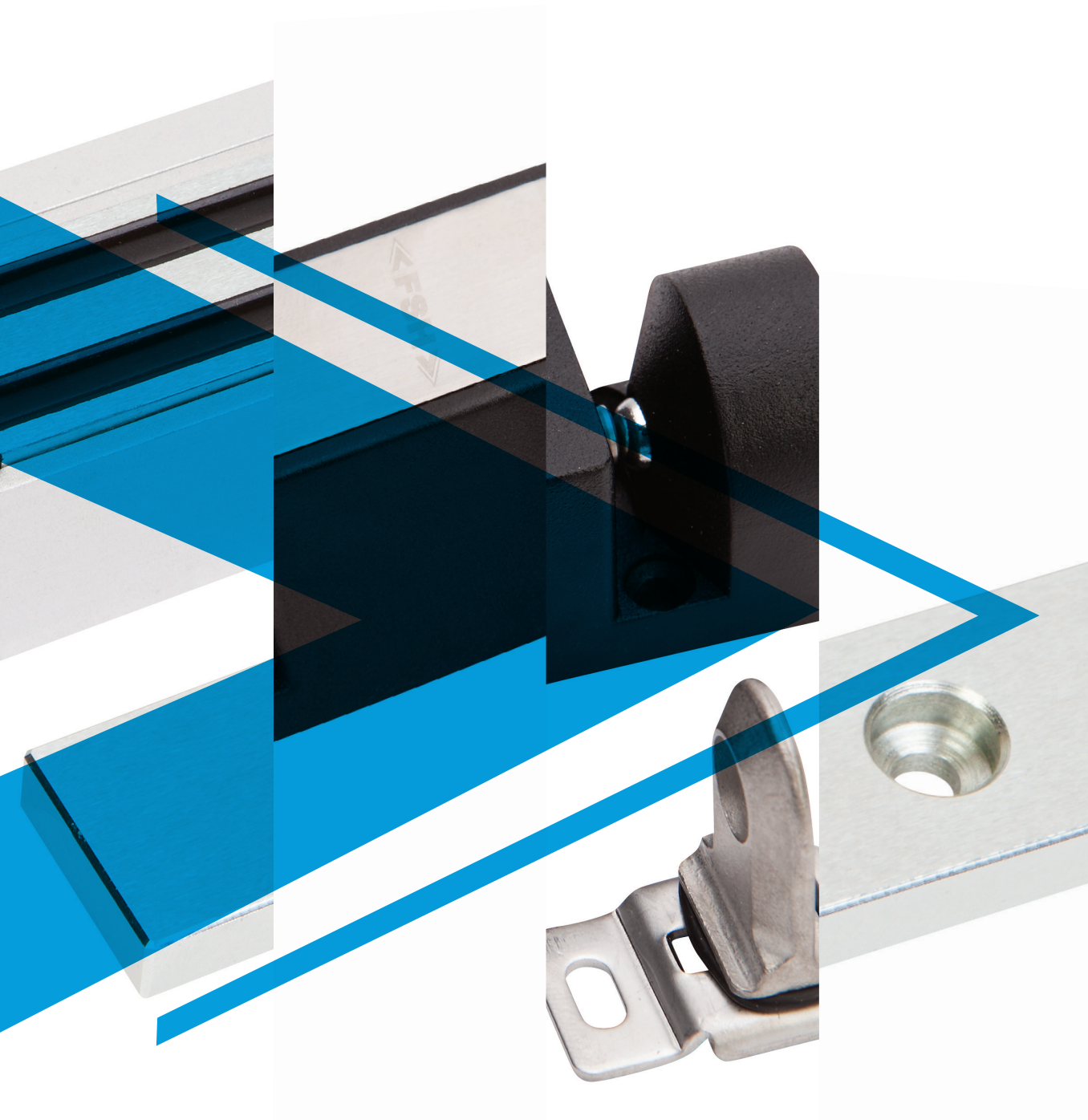




ORDER DETAILS & ACCESSORIES

PART NO.	PRODUCT DESCRIPTION
HL1260-SMK	Surface mount kit for motorised hook lock HL1260 or strike plate (one kit required per item)
HL1260	High Security motorised Hook Lock for sliding doors

ELECTROMECHANICAL CABINET LOCKS

Electromechanical Locking



	FEATURES	PART NO.	PP
	Early Warning Electromagnetic Cabinet Lock	FEW3000	52
	Electric Cabinet Lock	FCL0001	54
		FCL0002	

PRODUCT FEW3000

EARLY WARNING ELECTROMAGNETIC CABINET LOCK MONITORED



EW3000

PRODUCT DESCRIPTION

The FEW3000 early warning alarm lock is purposely designed to provide security to all types of drug cabinets, refrigerators, lockers, show cases, containers and the like where not only locking but also monitoring of both the locking device (LSS) power on / power off, and door position (DSS), door opened or closed, is of concern.

The FEW3000 is also provided with the unique feature of "Early Warning", in the event that unauthorised attempts are made to open the door the locking device triggers a changeover relay signalling 'unauthorised attempted entry'.

The lock has a holding force of up to 40kg and accepts 12VDC with a current of 0.3amps and has a working temperature of minus 10°C to plus 50°C.

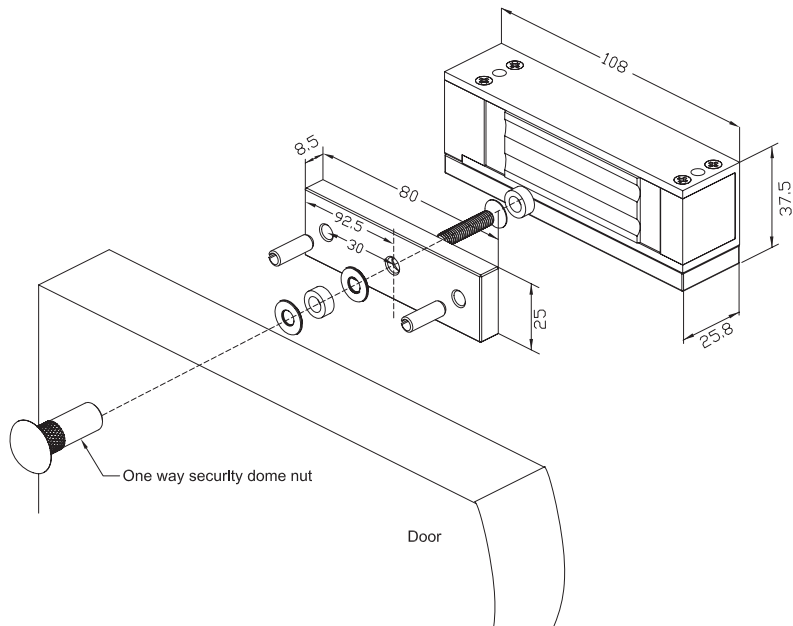
TECHNICAL DETAILS

PART NO.	FEW3000
HOLDING STRENGTH & DURABILITY	Up to 40kg
VOLTAGE/CURRENT	12VDC/300mA
MONITORING	DSS, Door Status, LSS, Lock Status, Early Warning
SIZE	Locking Device L= 107 x W= 37 x D= 25mm Armature Plate L= 80 x W = 25 x D = 9mm

PRODUCT FEATURES

- Working temperature -10° to +50°C
- Full monitoring DSS/LSS
- Early warning feature
- 5 year warranty
- Low power consumption
- Power OFF to Release Door

PRODUCT DIMENSIONS AND INSTALLATION



PRODUCT FCL0001 & FCL0002

ELECTRIC CABINET LOCK



FCL0001 & FCL0002

PRODUCT DESCRIPTION

The FCL0001 & FCL0002 are suitable for surface mount installation on all types of cabinets, or lockers. The cabinet locks are designed to fit into cabinets and lockers with hinged or sliding doors from either the front or side of the door. The lock function is interchangeable between Power To Lock and Power To Release. The devices are supplied in a dual voltage configuration, 12VDC or 24VDC.

The FCL0002 Cabinet Lock version comes with Lock Status Sensor (LSS), monitoring the locking pin and Door Status Sensor (DSS), monitoring if the door is open or close.

The locking pin is spring loaded and acts as latching mechanism in combination with the Lock Strike Plate.

TECHNICAL DETAILS

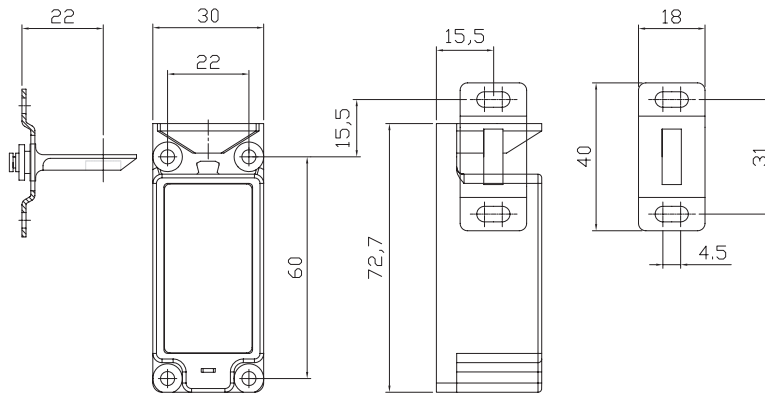
PART NO.	FCL0001	FCL0002
FUNCTION	Surface mount cabinet/Locker electric lock	Surface mount cabinet/Locker electric lock
HOLDING STRENGTH	Up to 150kg	Up to 150kg
VOLTAGE/CURRENT	12VDC/190mA 24VDC/90mA	12VDC/200mA 24VDC/100mA
MONITORING	N/A	Lock Status, LSS, Door Status (DSS)
SIZE	L= 72.7 x W= 28.8 x D= 28.5mm	L= 93 x W= 30x D= 32mm

PRODUCT FEATURES

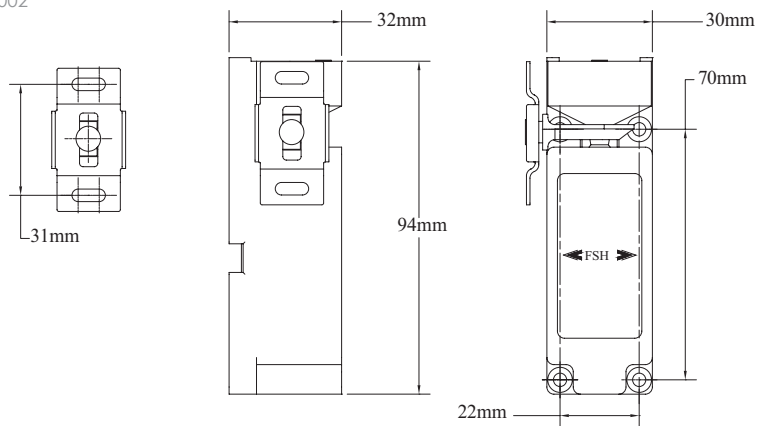
- Small size
- Power To Lock/Power To Release changeover
- Full monitoring DSS/LSS (FCL0002)
- 12 or 24VDC
- Up to 150kg holding force
- 5 year warranty

PRODUCT DIMENSIONS AND INSTALLATION

FCL0001



FCL0002





ORDER DETAILS

PART NO.	PRODUCT DESCRIPTION
FCL0001	Cabinet Lock short lead
FCL0001-12-8	Cabinet Lock monitored 8m lead (12VDC only)
FCL0002	Cabinet Lock monitored short lead
FCL0002-12-8	Cabinet Lock monitored 8m lead (12VDC only)
FCL0001-AP	Armature Plate for FCL0001 and FLC0002

ELECTROMAGNETIC DOOR HOLDERS

Electromechanical Locking



	FEATURES	PART NO.	PP
	Standard Magnetic Door Holders	R40	58
	Standard Magnetic Door Holders	R40PCH	60

PRODUCT R40 SERIES
STANDARD MAGNETIC DOOR HOLDER FIRE RATED



R40

PRODUCT DESCRIPTION

Fire and smoke door, magnetic holder, titanium alloy surface finished, elegant appearance. Installed on fire and smoke doors in projects where doors are required to be held in the open position for both pedestrian and general traffic, the devices have to be linked into a buildings fire/smoke alarm system.

When an alarm occurs, power is removed from the devices and the doors are returned to the closed condition, preventing the spread of fire and/or smoke to other areas. The devices are fire tested to a rating of 4 hours and are supplied either 12 or 24VDC.

TECHNICAL DETAILS

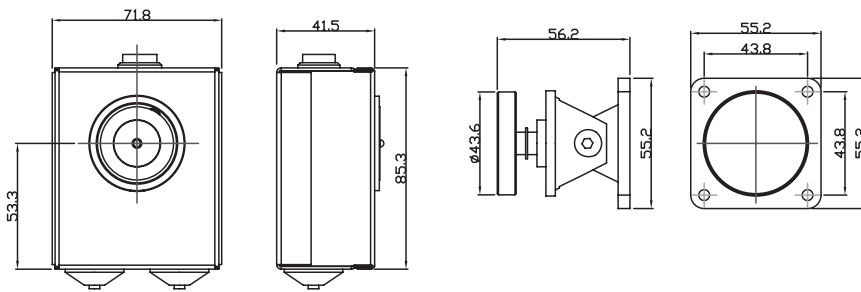
PART NO.	R40-12(12Volt)	R40-24(24Volt)	R40PCV12(12Volt)	R40PCV24(24Volt)
FUNCTION	Wall mount electro magnetic door holder for fire and smoke doors		Floor mount electro magnetic door holder for fire and smoke door	
HOLDING STRENGTH	Up to 25kg		Up to 25kg	
VOLTAGE/CURRENT	12VDC/160mA 24VDC/80mA		12VDC/160mA 24VDC/80mA	
SIZE	D= 41.5 x W= 71.8 x H= 85.3		D= 62 x W= 59 x H= 88mm	

PRODUCT FEATURES

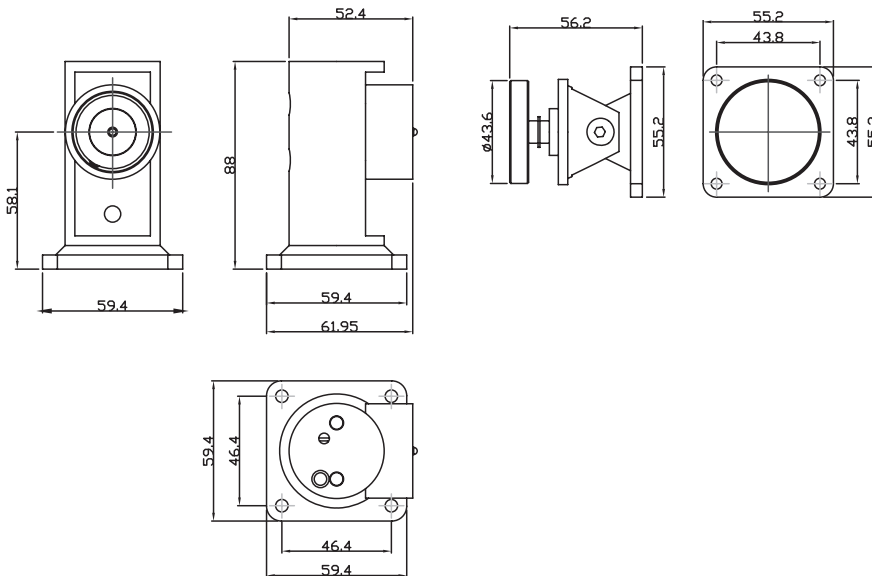
- Fire rated
- Up to 25kg holding force
- 12 and 24VDC options
- Floor mount and wall mount options
- Fail safe operation
- 2 year warranty

PRODUCT DIMENSIONS AND INSTALLATION

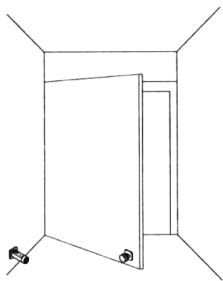
WALL MOUNT R40-12/24



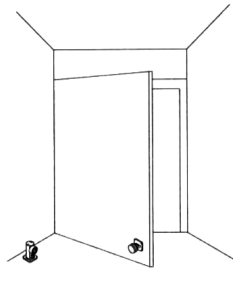
FLOOR MOUNT R40PCV-12/24



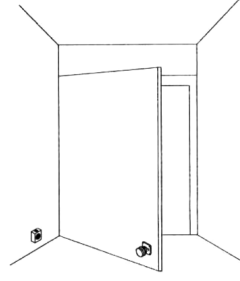
TYPE OF INSTALLATION



Extension Wall Mounting



Floor Mounting



Wall Mounting

PRODUCT R40

STANDARD MAGNETIC DOOR HOLDER FIRE RATED WITH EXTENSION



R40

PRODUCT DESCRIPTION

Fire and smoke door magnetic holder, titanium alloy surface finished, elegant appearance. Installed on fire and smoke doors in projects where doors are required to be held in the open position for both pedestrian and general traffic, the devices have to be linked into a buildings fire/smoke alarm system.

When an alarm occurs, power is removed from the devices and the doors are returned to the closed condition, preventing the spread of fire and/or smoke to other areas. The devices are fire tested to a rating of 4 hours and are supplied either 12 or 24VDC.

TECHNICAL DETAILS

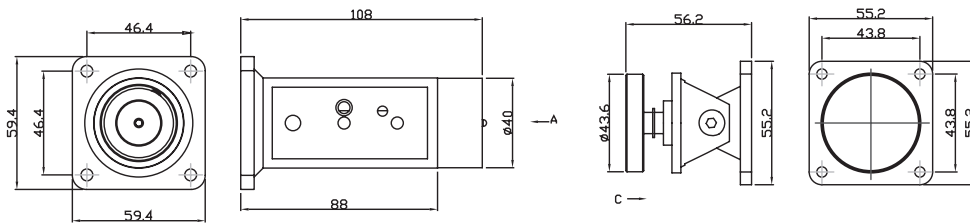
PART NO.	R40PCH12(12Volt)	R40PCH24(24Volt)
FUNCTION	Wall mount extension type electro magnetic door holder for fire and smoke doors	
HOLDING STRENGTH	Up to 25kg	
VOLTAGE/CURRENT	12VDC/160mA 24VDC/80mA	
SIZE	H= 59 x W= 59 x D= 108mm	

PRODUCT FEATURES

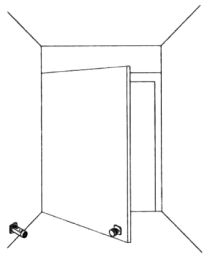
- Fire rated
- R40 up to 25kg holding force
- 12 and 24VDC options
- Floor mount and wall mount options
- 2 year warranty

PRODUCT DIMENSIONS AND INSTALLATION

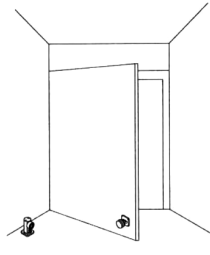
WALL MOUNT R40PCH-12/24



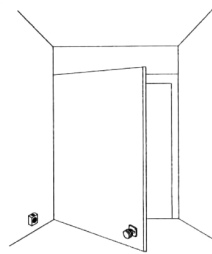
TYPE OF INSTALLATION



Extension Wall Mounting

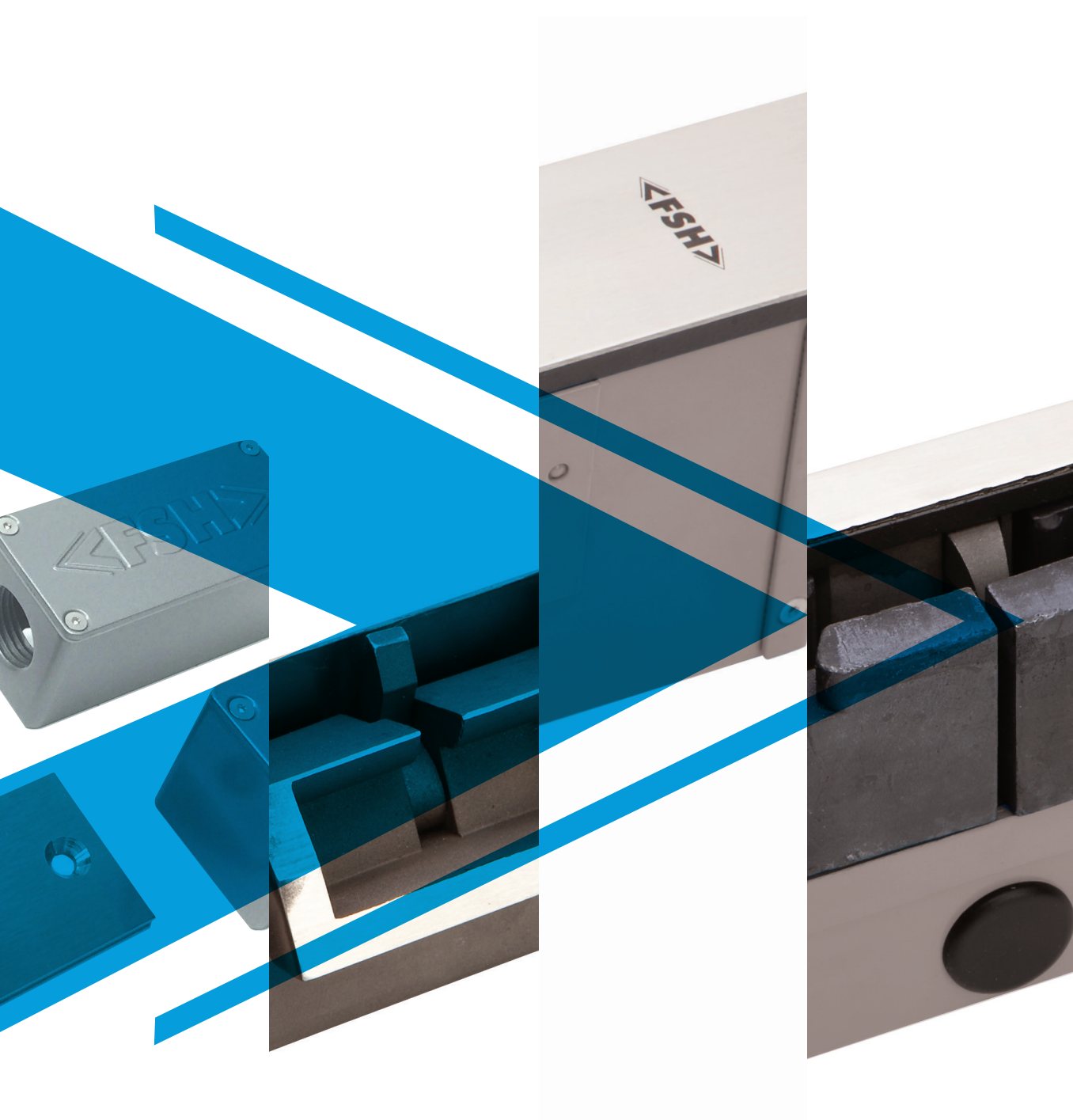






Floor Mounting



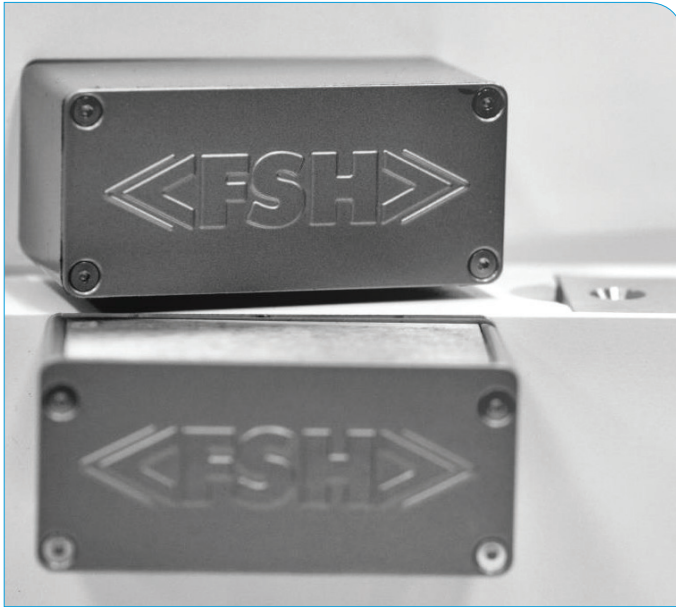
Wall Mounting

HIGH SECURITY DOOR MONITORING SENSOR
ELECTRIC MORTICE LOCK
Electromechanical Locking



	FEATURES	PART NO.	PP
	High Security Door Monitoring Sensor	FSS1	64
	Electric Mortice Lock	FEL990	66
	High Security Electric Custodial Strike	FES112	68
	High Security Electro Deadlock Strike	FES110	70

PRODUCT FSS1 HIGH SECURITY DOOR MONITORING SENSOR



FSS1 SERIES

PRODUCT DESCRIPTION



The FSS1 Series of High Security Door Monitoring Sensor are designed to provide a true high security solution for door position monitoring.

It is a state-of-the-art monitoring solution with a flush mount version for new construction, and surface mount version as a superior replacement for traditional magnetic balanced reed sensors.

Specifically developed for high security applications in government, high risk and defence installations, the FSS1 Series High Security Door Monitoring Sensor consist of seven magnetic sensors that are used to detect a unique magnetic footprint from an array of magnets on the magnetic face plate. One sensor is used to detect the position of the magnetic face plate in relation to the device, while the other six sensors are used to determine the polarity, size, strength and position of the magnets on the unique magnetic face plate in relation to the memorised pattern.

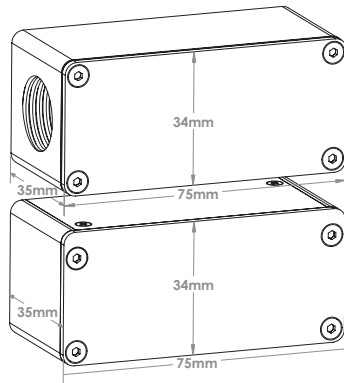
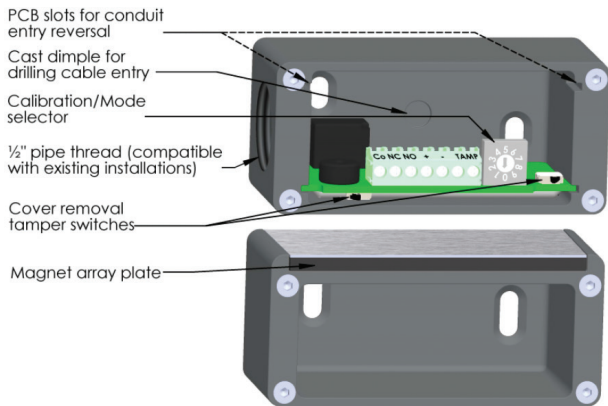
The FSS1 is equipped with sophisticated anti-tamper facilities. The product is listed in the Australian Government Security equipment evaluated Product list (SEEPL) and UL listed to UL 634.2.

TECHNICAL DETAILS

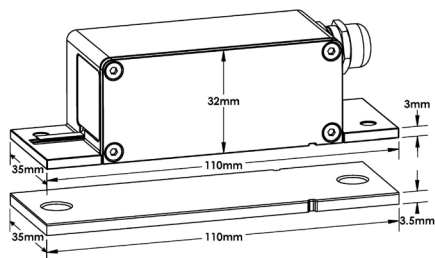
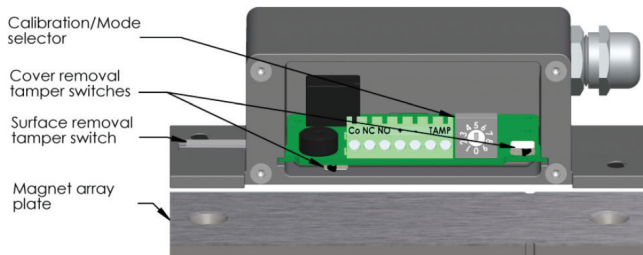
PART NO.	FSS1-S / FSS1-S-NC	FSS1-F
FUNCTION	FSS1-S - Surface mount conduit version FSS1-S-NC -Surface mount no conduit version	Flush mount version (morticed)
VOLTAGE/CURRENT	10 – 30VDC/<45mA	
SECURITY TAMPER PROOF LEVEL	Highest Security Level in Australia (SL4)	
ALARM & TAMPER CONTACTS	2 by N.C. common N.O., 0.2A @ 30V	
DOOR GAP	1-7mm vertical door gap, and up to 15mm door movement for alarm to trigger	
END OF LINE COMPATIBILITY	Space for type 1 & 2 end-of-line encryption modules	
DIMENSIONS	L=75mm H=34mm D=35mm	L=110mm D=32mm W=35mm
APPROVALS	Rated to IP67 RCM Compliant  SCEC Approved, Security Level 4 (SL4) rated 	
ARRAY MAGNETS	Up to 8 magnets for unique magnetic footprint	
HALL EFFECT SENSORS	7	
PATENTS	Patents granted and pending worldwide based on PCT/AU2014/000210	
MANUFACTURE	Designed & Manufactured in Australia	

PRODUCT DIMENSIONS

FSS1-S SURFACE MOUNT CONDUIT VERSION
 FSS1-S-NC SURFACE MOUNT NON CONDUIT VERSION



FSS1-F FLUSH MOUNT VERSION



PRODUCT FEL990 SERIES - NEW 12-PIN PLUG DESIGN
ELECTRIC MORTICE LOCK



FEL990 SERIES

PRODUCT DESCRIPTION

The FEL990 Series Electric Mortice Lock is a true multi-functional locking device. It has been developed for simplicity - simplicity for the stockist, the installer and the end-user. Only two options are available – either monitored or non-monitored.

The FEL990 Series locks can be easily site configured as follows:

- single-sided locking (Vestibule) / double-sided locking (Combination)
- power to lock (fail safe) / power to open (fail secure)
- left hand / right hand operation

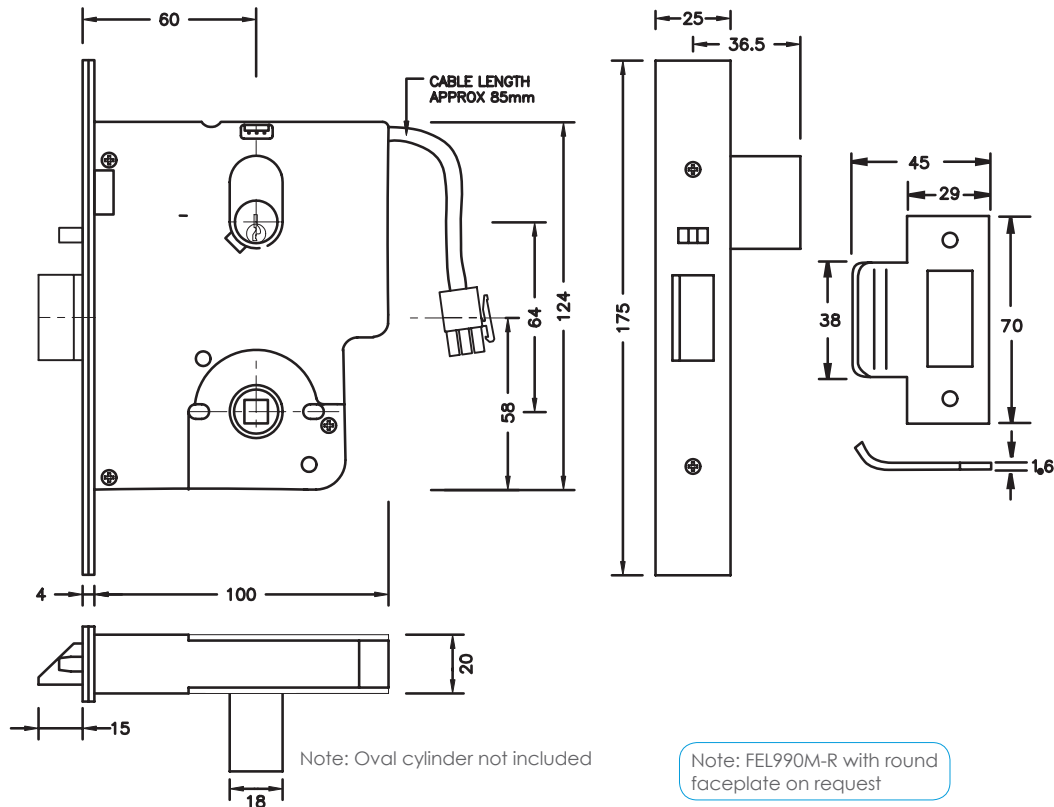
FEL990M also includes comprehensive monitoring:

- Door position monitoring by reed switch
- Lock status monitoring by a combination of 3 locking parameters
 - locking bar (Hub/Handle/s locked)
 - deadlatching bolt (depressed)
 - latchbolt (out)
- Dual key override monitoring (KOM)
- Request to exit (REX) via hub/handle(s)
- LED indication

TECHNICAL DETAILS

PART NO.	FEL990M	FEL990
FUNCTION	Vestibule and Combination lock (field selectable of either/or both sides locked) Lock handed (Left Hand/Right Hand field selectable)	
LOCK OPERATION	FAIL SAFE / FAIL SECURE adjustable on site – one product for both applications	
VOLTAGE/CURRENT	Multi-voltage - 12-24VDC / 350mA momentary, 100mA operating including LED furniture if applicable Reverse polarity protected Lock secure status and key override microswitch max. rating 500mA@30VDC Door status reed switch max. rating 100mA operating	
APPROVALS	<ul style="list-style-type: none"> • C-tick • Tested to 4 hour on fire door assemblies as specified in AS/NZ 1905.1 – 1997 Part 1 Fire Resistant Doorsets • Conforms to S3* (Security) and D3 (Durability) Australian Lock Standard (AS4145.2 : 1993) • Conforms when used with equivalent S3 keying system 	
MONITORING (990M VERSION ONLY)	<ol style="list-style-type: none"> 1. Door position monitoring by reed switch 2. Lock status monitoring by a combination of <ul style="list-style-type: none"> • Locking bar (hub/handle/s locked) • Deadlatching bolt (suppressed) • locking parameters 3. Dual key override monitoring (KOM) 4. Request to exit (REX) via hub/handle(s) 5. LED indication 	
ENVIROMENTAL	-20 to +60 degrees C	
DOOR THICKNESS	32 – 50mm	
BACKSET	60mm Optional: 70mm, 89mm and 127mm	
CABLING	3m cable with 12 pin plug supplied	
STANDARD FINISH	Satin stainless steel (other finishes on request)	
FACTORY CONFIGURATION	Vestibule 60mm backset Fail safe Left handed Satin stainless steel finish	

PRODUCT DIMENSIONS



SPECIFICATION STATEMENT

The lock should be capable of operation on voltages between 12 -24VDC and have a current consumption not more than 100mA (holding).

Monitored locks must be capable of monitoring the following functions:

- Key override
- Door position reed switch
- Latch bolt, dead latching bolt and locking bar microswitches (compatible with other brands)

All settings, including fail safe / fail secure, handing and hub REX selection, must be field configurable

ELECTRICAL SPECIFICATIONS

Solenoid Activation

12-24VDC 350mA momentary, 100mA max operating, Including LED (if applicable)

Lock Secure Status/ Key Override Monitor

Microswitch max. rating 500mA@30VDC

Door Status Monitor

Magnetic Reed Switch 100mA operating

Plug arrangement

12 pin plug with 3m cable

Request to Exit (REX) Switches

Microswitches max. rating 1A@125VAC

PRODUCT FES112

HIGH SECURITY ELECTRIC CUSTODIAL STRIKE



FES112

PRODUCT DESCRIPTION

The FES112 is purposely designed for heavy duty high security applications where superior holding strength is required, such as detention centres, correctional facilities and the like. The Strike works in conjunction with a heavy duty double throw deadlock. With a holding force in excess of 1000kg, multiple monitoring functions and multi-voltage regulation, the FES112 is the perfect locking device for a variety of high security installations and a viable solution for either new or retrofit high security projects. The device is supplied with a series 2 to series 3 simple change over switch.

Series 3 configuration provides the device with door position monitoring, in this configuration the FES112 cannot be secured until the door is in the closed position and the lock monitoring tongue is depressed.

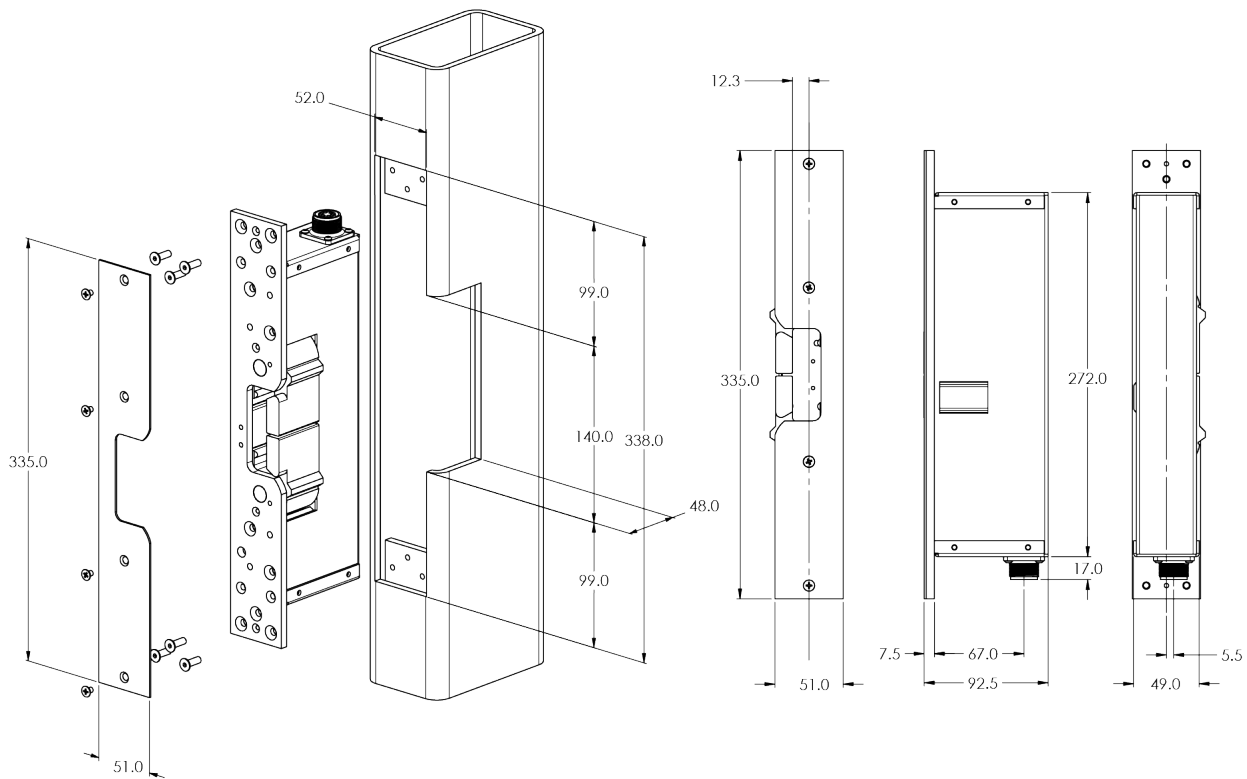
TECHNICAL DETAILS

PART NO.	FES112
FUNCTION	Power To Open (Fail Secure)
HOLDING STRENGTH	More than 1000kg
VOLTAGE/CURRENT	Multi Voltage 12-30VDC 12VDC, 1.5A current draw 24VDC, 0.75A current draw
MONITORING	Strike Jaws. Door Lock Bolt Status Sensor Door Position Reed Switch Strike Plate Removed (Anti-Tamper)
TEMPERATURE RANGE	-20°C to +60°C
LOCK DEAD BOLT DIMENSION	Fully extended = 33-36mm Width = 10-17mm Height = 57-59mm

PRODUCT FEATURES

- Stainless steel faceplate and keeper
- Ultra high holding force in excess of 1000kg
- Full monitoring (strike jaws, lock position, door position and cover plate)
- Multi Voltage operation 12-30VDC
- Smart Electronics, one lock for several applications (Revisions)
- Fail Secure operation
- Body, high grade tooling steel hardened to 60 Rockwell
- Jaws, Molybdenum coated hardened steel
- Change over switch series 2 or 3
- 2 year warranty

PRODUCT DIMENSIONS AND INSTALLATION



ORDER DETAILS

PART NO.	PRODUCT DESCRIPTION
FES112	High Security Dead Bolt Strike FES112 Series NEW Electronics Rev.2 & 3 selectable

PRODUCT FES110
HIGH SECURITY ELECTRO DEADLOCK STRIKE



FES110

PRODUCT DESCRIPTION

The FES110 series deadlock electric door strike release mechanism has been designed to provide door access control while maximising security to a door assembly fitted with square bolt deadlocks.

The FES110 monitors both door lock tongue and internal locking of the strike. The device is multi 12-24VDC, 2 year warranty.

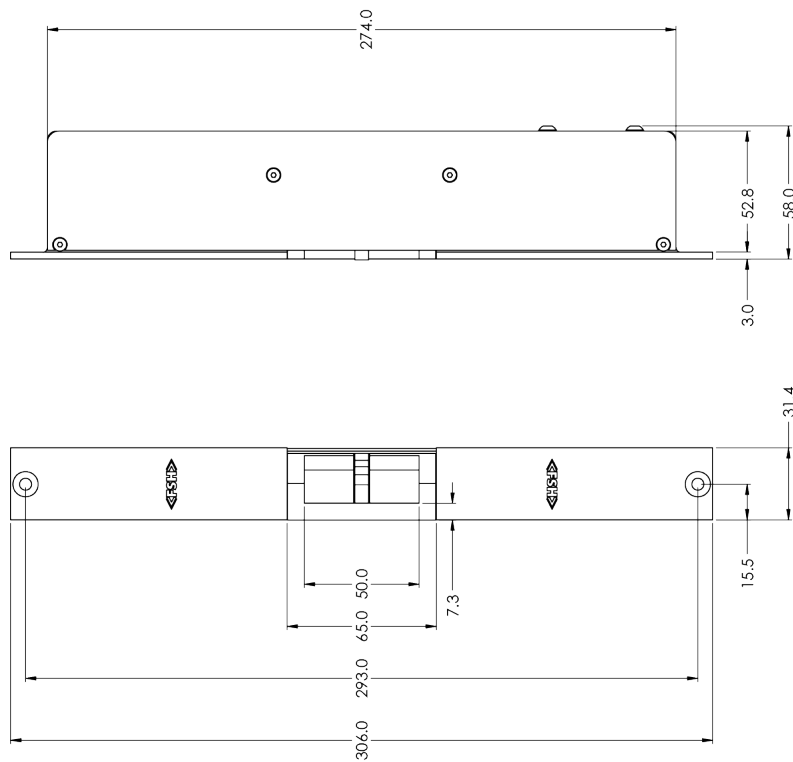
TECHNICAL DETAILS

PART NO.	FES110-30-12PTL	FES110-40-12PTR
FUNCTION	Power To Lock (PTL)	Power To Release (PTR)
HOLDING STRENGTH	Up to 500kg	
VOLTAGE/CURRENT	Multi voltage 12-24VCD 12VDC/900mA 24VDC/450mA	
MONITORING	Lock bolt and locking solenoid	
SIZE	L= 306 x W= 32 x H= 58mm	

PRODUCT FEATURES

- Stainless steel faceplate and keeper
- Holding strength of up to 500kg
- 2 years warranty
- 12 or 24VDC operation (has to be specified)
- Monitoring Lock Status (LSS) and Door Status (DSS)
- PTO and PTR version available

PRODUCT DIMENSIONS AND INSTALLATION



ORDER DETAILS

PART NO.	PRODUCT DESCRIPTION
FES110-30-12PTL	FES110 Strike 12Volt Power To Lock
FES110-30-24PTL	FES110 Strike 24Volt Power To Lock
FES110-40-12PTR	FES110 Strike 12Volt Power To Release
FES110-40-24PTR	FES110 Strike 24Volt Power To Release

About Allegion™

Allegion (NYSE: ALLE) is a global pioneer in safety and security, with leading brands like Brio®, FSH®, Gainsborough, Legge®, Schlage® and Von Duprin®. Focusing on security around the door and adjacent areas, Allegion produces a range of solutions for homes, businesses, schools and other institutions. Allegion is a \$2.4 billion company, with products sold in almost 130 countries.. For more, visit fshlocking.com



WALKING GENTLY
ON OUR PLANET



FSH is an Allegion™ company

